



JDA-W2G series Product Specification of Disconnecting Switch



note: subject to change without any notice, JDA pay no responsibility



CATALOGUE

CHAPTER 1 PRODUCT OVERVIEW	3
CHAPTER 2 TECHNICAL CHARACTERISTICS	8
CHAPTER 3 ACCESSORIES	12
CHAPTER 4 FIELD OF APPLICATION	20
CHAPTER 5 OUTLINE AND INSTALLATION DIMENSIONS	24
CHAPTER 6 ELECTRICAL WIRING DIAGRAM	47
CHAPTER 7 ORDERING SELECTION SPECIFICATION	49

Chapter 1 Product Overview

1.1 JDA-W2G product series	3
1.2 Rated current of JDA-W2G disconnecting switch	3
1.3 Breaking capacity and short-time withstand current of JDA-W2G disconnecting switch	3
1.4 Structural Features	4
1.5 Product Features	5
1.6 Product Model	6



1. Product Overview

1.1 JDA-W2G product series



JDA-W2G-2000



JDA-W2G-4000

1.2 Rated current of JDA-W2G disconnecting switch

Frame current	Rated current (A)										
	400	630	800	1000	1250	1600	2000	2500	3200	4000	
JDA-W2G-2000 JDA-W2GF-2000	■										
JDA-W2GZ-2000 JDA-W2GZF-2000			■								
JDA-W2G-4000 JDA-W2GF-4000			■								
JDA-W2GZ-4000 JDA-W2GZF-4000				■							

1.3 Breaking capacity and short-time withstand current of JDA-W2G disconnecting switch

Disconnecting switch	JDA-W2G-2000/ JDA-W2GF-2000	JDA-W2G-4000/ JDA-W2GF-4000	JDA-W2GZ-2000/ JDA-W2GZF-2000	JDA-W2GZ-4000/ JDA-W2GZF-4000
Number of poles	3, 4	3, 4	3, 4	3, 4
Rated current In 40°C	400A~2000A	800A~4000A	400A~2000A	800A~4000A
N pole rated current	100%In			
Rated operational voltage Ue	AC415V, AC690V	AC415V、AC690V、 AC800V、 AC1000V/1140V	DC750V (3p) DC1000V (4p), DC1500V (4p)	DC750V (3p), DC1000V (4p), DC1200V (4p), DC1500V (4p)
Rated short circuit making capacity Icm (peak value) kA ¹⁾	143kA	220kA	80kA	100kA
Rated short time withstand current Icw (effective value) 1s kA ¹⁾	65kA	100kA	35kA	50kA

Note: 1) AC415V for AC products, and DC750V for DC products



1.4 Structural Features

■ Installation structure



Fixed type



Drawout type

■ Brief Description of Structure and Indications

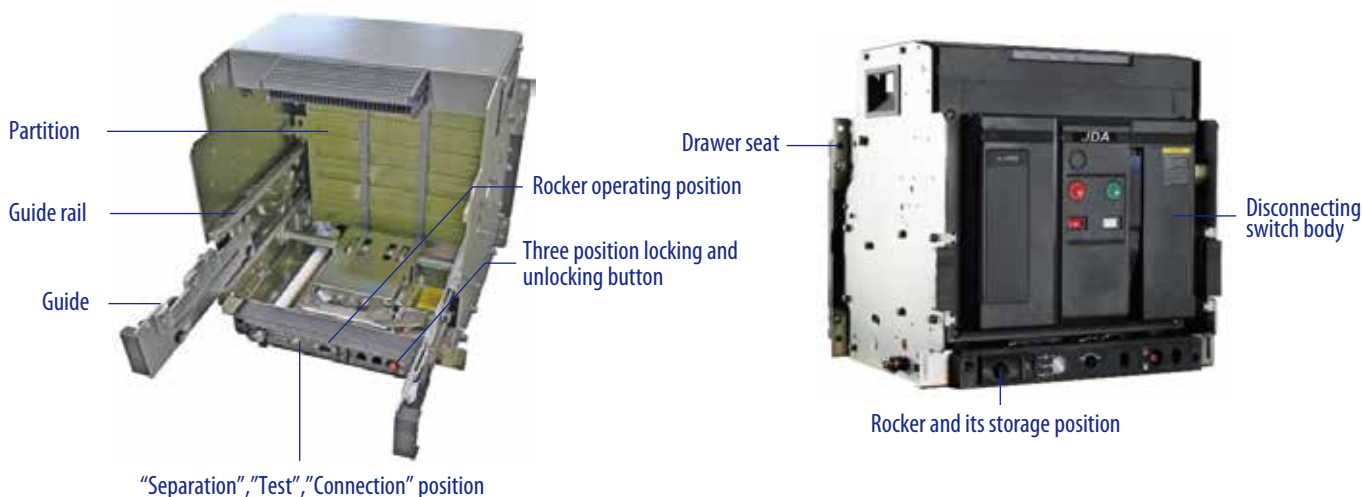


1. Specification sign
2. Disconnected position key lock (Optional function)
3. **JD Auspice Co., Ltd.**
4. Disconnection button
5. Counter (Optional function)
6. Energy releasing and storing indicator
7. Opening and closing indication
8. Nameplate
9. Counter (added function)
10. "Connection", "Test", "Separation" position locking and unlocking devices
11. Rocker operating position
12. "Connection", "Test" and "Separation" position indicator
13. Rocker and its storage position

Note: 1 ~ 9 is fixed type, while 1 ~ 13 is drawout type.

■ Structure of drawout type disconnecting switch

Drawout type disconnecting switch is composed of the disconnecting switch body and the drawer seat. The drawer seat has guide rails on both sides. There's a movable guide plate on the guide rail. The disconnecting switch is placed on the left and right guide plates. The drawout type disconnecting switch connects to the main circuit by inserting the busbar on the disconnecting switch body into the bridge contact on the drawer seat.



1.5 Design Features

1.5.1 Disconnecting switch for humid hot and plateau

JDA-W2GF can meet the use under the environment condition of plateau and low temperature below 40°C, is in line with the IEC 61000-413:2002.IDT Technical Requirements of the Plateau Low voltage Apparatus under Special Circumstances, and has passed standard related test.

JDA-W2GF and JDA-W2GZF can meet the requirements of the three-proofing products, namely, moisture-proofing, mould-proofing and salt spray-proofing, and complies with "Technical Requirements of Tropical Type Low-voltage Apparatus" (JB T834) while having passed the following standard related tests:

- Thermal-humidity test: IEC 60068-2-30:2005 Environmental Testing for Electric and Electronic Products.
Part 2: Test Method Test Db: Alternating Thermal-humidity (12h + 12h Cycle)
- Mould growth test: IEC. 60068-2-10:2005, IDT Environmental Testing for Electric and Electronic Products.
Part 2: Test Method Test J and Guidelines: Mould Growth
- Enclosure protection grade: IEC 60529:2001 Enclosure Protection Grade (IP code)
- Salt spray test: IEC 60068-2-52, IDT Environmental Testing Part 2: Test Method Test Kb: Salt spray, Alternating salt spray (Sodium chloride solution)

1.5.3 Convenient wiring mode

Either zero flashover or upper and lower wiring is OK.

Wiring mode: horizontal wiring, horizontal extended wiring, vertical wiring, vertical extended wiring and so on.

1.5.4 Efficient arc extinguishing

The design of the disconnecting switch arc extinguishing chamber and contact system has a number of invention patents. It adopts the principle of air-blast arc extinguishing, optimizes the arc extinguishing gate design, increases the driving force of arc, and improves the arc extinguishing ability of the product.

1.5.5 High electrical life and short-circuit withstand capacity

The body design adopts high strength DMC material, and has high impact strength and insulating properties. The design of the double-contact structure improves the electric life of products; the optimized design of the mechanism realizes compensation to the contact pressure, and improves the product reliability and short circuit tolerance ability.



1.5.6 Multiple safety protection devices

It has drawout type disconnecting switch door interlocking, drawout type triolocation locking and unlocking device and disconnected position key lock, connection terminal protective cover, closing ready device and other protection devices.

1.6 Product Model

JDA W 2 G □ - □ □ / □ □ / □

1 2 3 4 5 6 7 8 9 10

SN	SN name	JDA-W2G
1	Enterprise code	JD Auspice Co., Ltd.
2	Product code	W-Air Circuit Breaker
3	Design code	2
4	Derived code	G-Disconnecting switch
5	Derived code	Not-marked-Conventional, F-Power generation products
6	Frame size level current	20-2000, 40-4000
7	Breaking type	HU-high voltage level Not marked-not high voltage level
8	Installation mode	Non-marked-fixed type, C-drawout type
9	Rated current	04-400A, 06-630A, 08-800A, 10-1000A, 12-1250A, 16-1600A, 20-2000A, 25-2500A, 32-3200A, 40-4000A
10	Number of poles	3-3 poles, 4-4 poles

Note: 1.For the HU breaking type, serial 8 is behind serial 9, e.g.:JDA-W2G-40HU/40C
2.No.5 Derived code"F", is applicable for Windpower and Plateau

JDA W 2 GZ □ - □ □ / □ □ / □

1 2 3 4 5 6 7 8 9

SN	SN name	JDA-W2GZ
1	Enterprise code	JD Auspice Co., Ltd.
2	Product code	W-Air Circuit Breaker
3	Design code	2
4	Derived code	G-Disconnecting switch Z-DC
5	Derived code	Not-marked-Conventional, F-Power generation products
6	Frame size level current	20-2000, 40-4000
7	Installation mode	Non-marked-fixed type, C-drawout type
8	Rated current	08-800A, 10-1000A, 12-1250A, 16-1600A, 20-2000A, 25-2500A, 32-3200A, 40-4000A
9	Number of poles	3-3 poles, 4-4 poles

Note: 1.No.5 Derived code"F", is applicable for Windpower and Plateau



Chapter 2 Technical Characteristics

2.1 Technical Parameter List of JDA-W2G Disconnecting switch	8
2.2 Technical Parameter List of JDA-W2GZ DC Disconnecting switch	10



Technical Characteristics

2.1 Technical Parameter List of JDA-W2G Disconnecting switch

Disconnecting switch model		JDA-W2G-2000/ JDA-W2GF-2000			JDA-W2G-4000/ JDA-W2GF-4000	
Rated current In (A) (+40°C)		400, 630, 800	1000, 1250, 1600	2000	800, 1000, 1250, 1600, 2000, 2500	3200, 4000
N-pole rated current		100%In				
Rated operational voltage Ue		AC415V, AC690V			AC415V、AC690V、AC800V、 AC1000/1140V	
Rated frequency F		50/60Hz				
Rated insulation voltage Ui		AC1000V			AC1000V(AC415V、AC690V) AC1250V(AC800V、 AC1000/1140V)	
Rated impulse withstand voltage Uimp		12kV				
Number of poles		3, 4				
Full break time		≤30ms				
Closing time		≤70ms				
Rated short circuit making capacity Icm (peak value) kA	AC415V	143			220	
	AC690V	110			187	
	AC800V	-			154	
	AC1000/ 1140V	-			121	
Rated short-time withstand current Icw (effective value) 1s kA	AC415V	65			100	
	AC690V	50			85	
	AC800V	-			70	
	AC1000/ 1140V	-			55	
With external protection relay, Ultimate breaking capacity at maximum delay of 0.4s (kA)	AC415V	65			100	
	AC690V	50			85	
	AC800V	-			70	
	AC1000/ 1140V	-			55	
Utilization category		AC-22A, AC-23A				
Operation performance (times)	Electrical Life	AC415V	8000			8000
		AC690V	5000			3000
		AC800V	-			2000 (800A~1600A) 1000 (2000A~4000A)
		AC1000/ 1140V	-			2000 (800A~1600A) 1000 (2000A、2500A) 600 (3200A、4000A)
	Mechanical Life	Maintenance-free	15000			10000
		With maintenance	25000			15000
Installation mode	Fixed type	▲			▲	
	Drawout type	▲			▲	



Wiring method of the main circuit	Fixed type	Horizontal wiring, L wiring, Horizontal extended wiring			Horizontal wiring, vertical wiring, horizontal extended wiring, vertical extended wiring	
	Drawout type	Horizontal wiring, vertical wiring, L-type wiring, Horizontal extended wiring			Horizontal wiring, vertical wiring, horizontal extended wiring, vertical extended wiring	
Boundary dimension: W×D×H (mm)	Fixed type 3P	362×331×397			428×300×393.5	
	Fixed type 4P	457×331×397			543×300×393.5	
	Drawout type 3P	375×398×432			435 × 403 × 432 (800~2500A)	435× 397.5 × 432 (3200A 、 4000A)
	Drawout type 4P	470×398×432			550 × 403 × 432 (800~2500A)	550 × 397.5 × 432 (3200A~4000A)
Weight (kg)	Fixed type 3P	39	40	41	59	60
	Fixed type 4P	48	49	50	70	71.5
	Drawout type 3P	68	70	71	97	103
	Drawout type 4P	86	88	91	114	120
Note: ▲ represents this function is available						



2.2 Technical Parameter List of JDA-W2GZ DC Disconnecting switch

Disconnecting switch model		JDA-W2GZ-2000/ JDA-W2GZF-2000			JDA-W2GZ-4000/ JDA-W2GZF-4000		
Rated current In (A) (+40°C)		800	1000, 1250, 1600	2000	1250, 1600, 2000, 2500	3200, 4000	
Rated operational voltage Ue		DC750V (3P) DC1000V (4p), DC1500V (4p)			DC750V (3p), DC1000V (4p), DC1200V (4p), DC1500V (4p)		
Rated insulation voltage Ui		DC1500V					
Rated impulse withstand voltage Uimp		12kV					
Number of poles		3P in series, 4P in series					
Full break time		≤30ms					
Closing time		≤70ms					
Rated short circuit making capacity Icm (peak value) kA	DC750V	80			100		
	DC1000V	52.2			52.2		
	DC1500V	35			50		
Rated short time withstand current Icw (effective value) 1s kA	DC750V						
	DC1000V	35			50		
	DC1500V						
Utilization category		DC-22A, DC-23A					
Operation performance (times)	Electrical Life	DC750V	3000			1000	
		DC1000V	2000			800	
		DC1500V	1000			500	
	Mechanical Life	Maintenance-free	15000			10000	
		With maintenance	25000			15000	
Installation mode	Fixed type	▲			▲		
	Drawout type	▲			▲		
Wiring method of the main circuit	Fixed type	Horizontal extended wiring			Horizontal extended wiring		
	Drawout type	Horizontal extended wiring			Horizontal extended wiring		
Boundary dimension: W×D×H (mm)	Fixed type 3P	362×331×397			428×300×393.5		
	Fixed type 4P	457×331×397			543×300×393.5		
	Drawout type 3P	375×398×432			435 × 403 × 432 (800~2500A)	435 × 397.5 × 432 (3200A 、 4000A)	
	Drawout type 4P	470×398×432			550 × 403 × 432 (800~2500A)	550 × 397.5 × 432 (3200A 、 4000A)	
Weight (kg)	Fixed type 3P	39	40	41	59	60	
	Fixed type 4P	48	49	50	70	71.5	
	Drawout type 3P	68	70	71	97	103	
	Drawout type 4P	86	88	91	114	120	

Note: ▲ represents this function is available



Chapter 3 Accessories

3.1 Accessories list	12
3.2 Electrical Control Accessories	12
3.3 Signal Output Accessories	15
3.4 Safety Accessories	16
3.5 Lock and Interlocking Device	17



Accessories

3.1 Accessories list

Accessory name	For which kind of disconnecting switches	Supply mode
Off-position key lock	Fixed type/drawout type	Optional ordering for customers
Door interlocking	Drawout type	Optional ordering for customers
Disconnecting switch three-position locking device	Drawout type	Standard configuration
Auxiliary switch	Fixed type/drawout type	Standard configuration
Closed electromagnet	Fixed type/drawout type	Standard configuration
Shunt release	Fixed type/drawout type	Standard configuration
Motor operating mechanism	Fixed type/drawout type	Standard configuration
Phase partition	Fixed type/drawout type	Optional ordering for customers
Closing ready signal output device	Fixed type/drawout type	Optional ordering for customers
Undervoltage release	Fixed type/drawout type	Optional ordering for customers
Counter	Fixed type/drawout type	Optional ordering for customers
Dustproof cover	Fixed type/drawout type	Optional ordering for customers
Door frame	Fixed type/drawout type	Optional ordering for customers

3.2 Electrical Control Accessories

3.2.1 Closed electromagnet (standard configuration)

Closed electromagnet is mainly composed of coil, iron core component and electronic parts. In the condition of mechanism energy storage, as long as the closed electromagnet is energized, the disconnecting switch can be closed.

◆ Action features of the closed electromagnet.

- 1) When the power supply voltage of the closed electromagnet maintains at 85%~110% of the rated control supply voltage U_s , operation of the closed electromagnet can make reliable closing of the disconnecting switch;
- 2) Closed electromagnet is the short time duty-type;
- 3) There is the control circuit inside to ensure the long time energizing, which shall be >200ms. The user cannot connect it with the auxiliary switch point of the disconnecting switch in series.

◆ Technical Parameters of Closed Electromagnet

Rated insulation voltage (U_i)	Rated control supply voltage (U_s)	Instantaneous power
400V	AC380V/AC400V 50/60Hz	620VA
	AC220V/AC230V 50/60Hz	500VA
	DC220V	500W
	DC110V	400W
	DC24V	145W





3.2.2 Shunt release standard configuration

Shunt release is mainly composed of coil, iron core component and electronic parts, which can make the disconnecting switch disconnect by remote operation.

◆ Action features of the shunt release

- 1) When the power supply voltage of the shunt release maintains at 70%~110% of the rated control supply voltage, operation of the shunt release can make the disconnecting switch disconnect;
- 2) Shunt release is the short time duty-type;
- 3) There is the control circuit inside to ensure the long time energizing, which shall be >200ms. The user cannot connect it with the auxiliary switch point of the disconnecting switch in series.

◆ Technical Parameters of Shunt Release

Rated insulation voltage (Ui)	Rated control supply voltage (Us)	Instantaneous power
400V	AC380V/AC400V 50/60Hz	620VA
	AC220V/AC230V 50/60Hz	500VA
	DC220V	500W
	DC110V	400W
	DC24V	145W

3.2.3 Motor operating mechanism

The Disconnecting switch can only be closed after the motor operating mechanism make the Disconnecting switch to store energy in advance.

◆ Operation features

- 1) If the rated supply voltage of the motor operating mechanism is between 85%~110% , energy storage of the disconnecting switch can be made in place.
- 2) The motor will close the power supply automatically and stop operation after it stores energy in place.
- 3) The motor operating mechanism can realize the automatic pre energy storing.

◆ Technical Parameters of Motor Operating Mechanism



Rated insulation voltage (Ui)	Energy storage time	Rated control supply voltage (Us)	Operating power	
			2000 frame size	4000 frame size
400V	3s~5s	AC220V/AC230V AC380V/AC400V (50/60Hz)	85VA (3P), 110V (4P)	110VA
		DC220V/DC110V	85VA (3P), 110V (4P)	110W
		DC24V	/	/



3.2.4 Undervoltage release

◆ Action features of the undervoltage release

- 1) When the applied voltage drops, even slowly drops to 35%~70% of the rated operational voltage, the undervoltage release will work to disconnect the disconnecting switch;
- 2) When the applied voltage is less than 35% of the rated operational voltage of the undervoltage release, the undervoltage release will make the disconnecting switch cannot be closed;
- 3) When the applied voltage is 85%~110% of the rated operational voltage of the undervoltage release, the undervoltage release can be closed reliably to guarantee the reliable closing of the disconnecting switch.

◆ Undervoltage release can be divided into two types (instantaneous release and delayed release), which is mainly composed of coil, iron core component and electronic parts.

◆ Undervoltage delayed release

The undervoltage delayed release sets the delay time of the release action through toggling the toggle switch on the undervoltage delayed device. The delay time is set as

1 s, 3 s, 5 s as required, and the factory default is 1 s.

◆ See the table below for the power consumption of undervoltage release.

Power Consumption Table of Undervoltage Release

Rated insulation voltage (Ui)	Frequency (f)	Rated operational voltage (Ue)	Operating power
400V	50/60Hz	AC380V (AC400V)	5.2W
		AC220V (AC230V)	3.9W
		DC220V	3.9W
		DC110V	3.9W
		DC24V	3.5W

3.2.5 Loss-of-voltage release

◆ Action features of the loss of voltage release

- 1) When the applied voltage suddenly drops to 0~35% of the rated operational voltage, the loss of voltage release will work to disconnect the circuit breaker;
- 2) When the applied voltage is less than 35% of the rated operational voltage of the loss of voltage release, the loss of voltage release will make the circuit breaker cannot be closed;
- 3) When the applied voltage is 85%~110% of the rated operational voltage of the loss of voltage release, the loss of voltage release can guarantee the reliable closing of the disconnecting switch.
- 4) When the applied voltage drops no less than 35% of the rated operational voltage, the loss of voltage release can be closed to guarantee the reliable closing of the disconnecting switch.

◆ The loss of voltage release can be divided into instantaneous release and delayed release, which is mainly composed of coil, iron core component and electronic parts.

◆ Loss of voltage delayed release

The loss-of-voltage delayed release sets the delay time of the release action through toggling the toggle switch on the loss-of-voltage delayed device. The delay time is set as 1 s, 3 s, 5 s as required.

◆ See the table below for the power consumption of loss of voltage release.





Rated insulation voltage (Ui)	Frequency (f)	Rated operational voltage (Ue)	Operating power
400V	50Hz/60Hz	AC220V(AC230V)	1.75W
		AC380V(AC400V)	1.35W

3.3 Signal Output Accessories

3.3.1 Auxiliary switch

- ◆ The conventional thermal current of the auxiliary switch is 10 A;
- ◆ Auxiliary contact form: Four groups switch, Six-groups switch, Four normally opened and four normally closed, Six normally opened and six normally closed.
- ◆ Technical Parameters of Auxiliary Contact



Applicable frame size		4000	2000
Kind of contact elements and number of auxiliary circuits		<ul style="list-style-type: none"> ■ Four-groups switch ■ Four normally opened and four normally closed ■ Six-groups switch ■ Six normally opened and six normally closed 	<ul style="list-style-type: none"> ■ Four normally opened and four normally closed ■ Four-groups switch ■ Six normally opened and six normally closed ■ Six-groups switch
Minimal load		2mA/DC15V	
Conventional free air thermal current I _{th}		10A	
Breaking capacity of Auxiliary	DC-12	0.3A/DC250V	5A/DC250V
	AC-12	10A/AC250V	10A/AC250V
	DC-13	0.2A/DC220V	1.2A/DC220V
	AC-15	3A/AC400V	3A/AC400V

3.3.2 Closing ready signal output device

Closing ready signal output device of the disconnecting switch is the output signal device that reflects the operating mechanism to achieve the closed state. It can output signals if it meets the following mechanical states. See the table below for technical parameters.

- ◆ Disconnecting switch in opening state
- ◆ Energy storage in place
- ◆ No disconnection instruction
- ◆ Undervoltage release closing in place
- ◆ Controller fault tripping reset





3.3.3 Secondary wiring terminal

- ◆ For the number of secondary wiring terminal, there is a total of 62 groups (identical for the fixed type and drawout type); see Chapter 8 for the definition and its electrical wiring diagram of each terminal number.
- ◆ See the table below for parameters of the secondary wiring terminal



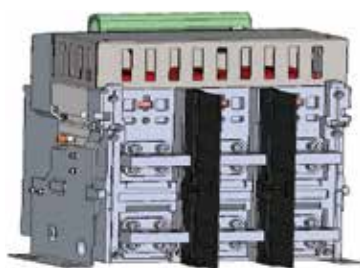
Item	Parameter
Connection mode	Clamping
Flame retardant rating, according to UL 94	V0
Pollution level	3
Voltage category	III
Material group	IIIa
Applicable connection standards	IEC 60947-7-1:2009
Maximum load current	10A
Rated current	10A
Rated voltage	500V
Minimum cross section area of the rigid (flexible) conductor	0.5mm ²
Maximum cross section area of the rigid (flexible) conductor	1.5mm ²
Recommended striping length	10 ± 1mm
Minimum test pull force after the conductor connection	30N

3.4 Safety Accessories

3.4.1 Phase partition

Divided into fixed type and drawout type, the phase partition is installed in the groove between all the phase bus bars, used to increase the insulation strength between phases of the main circuit so as to prevent the short circuit in case of the insulation breakdown and improve the power reliability. It is an optional accessory, see the pictures below.

- ◆ Conventional phase partition



Phase partition and bracket



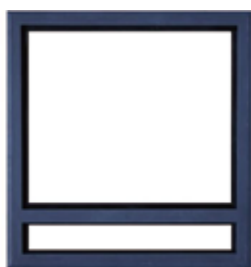
3.4.2 Counter

Counter is used to record the number of the "close open" operation of the disconnecting switch.



3.4.3 Doorframe

Divided into fixed type and drawout type, it is mainly placed on the door of the cubicle for sealing effect, and can make the protection level of the disconnecting switch reaches IP40. It is beautiful and practical.



Drawout type



Fixed type

3.4.4 Dustproof cover

Installed on the beam of the wiring terminal, it can prevent dust and other debris falling into the terminal of the wiring terminal, leading to poor contact. It is an optional accessory.



3.5 Locks

3.5.1 Off-position key lock (on the disconnecting switch)

◆ This key lock is locked on the manually disconnected position of the disconnecting switch. When the key is anticlockwise locked and pulled out, The disconnecting switch cannot carry out closed operation, so as to prevent irregular operation. Model and type are shown in the table below.





Models and types of Off-position key locks

Model	Name	Number of disconnecting switches	Number of keys
SF11	One lock one key	1	1
SF21	Two locks one key	2	2
SF31	Three locks one key	3	3
SF32	Three locks two keys	3	3
SF53	Five locks three keys	5	5

3.5.2 Drawout-type three-position lock (standard configuration on the drawerseat)

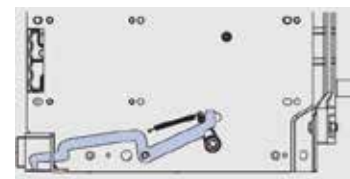
On the drawer seat, there's "connection", "test" and "separation" position status, which is indicated through an indicator.

When the handle rolls, the Disconnecting switch will be locked at these three positions, and it can be unlocked only through the unlock button (red), as shown in Figure 23.



3.5.3 Door interlock (on the drawer seat)

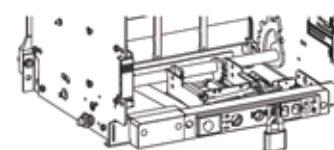
It is installed on the right or the left side of the drawer seat. When the drawout type disconnecting switch is in the separation position, it can avoid opening of the cubicle door.



3.5.4 Drawout type disconnecting switch “separation” position lock (on the drawer seat)

At any position, when the rocker is not placed in the rocker working place, you can lock the rocker working place of draw-out circuit breaker through padlocks, and then the rocker cannot be inserted in the rocker working place, thus you cannot conduct the roll in or roll out operations. The padlock is prepared by users, and it is with a lock beam diameter of 4mm to 8mm.

It is usually applied to the following occasions: When the draw out product is in the separation place, and the rocker is not placed in the rocker working place, pull out the black pull rod at the bottom of drawer seat, and use the lock beam through the pull rod. Then you can only pull out the circuit breaker body and cannot roll it to “test” or “connection” places.





Chapter 4 Field of Application

4.1 Operating Environment	20
4.2 Installation conditions	21
4.3 Reference Specifications of Disconnecting Switch's Main Circuit Copper Bar (Table 4).	22
4.4 The power loss of the incoming and outgoing lines of the disconnecting switch (ambient temperature +40°C) is as shown in Table 5:	22



Field of Application

JDA-W2G-2000 and 4000 disconnecting switch (hereinafter referred to as "disconnecting switch") is applicable for AC/DC system, rated working voltage 400A-4000A, rated working voltage AC1140V (JDA-W2G-4000) and below, DC1500V and below; and it is mainly installed in the low-voltage distribution circuit to make the main circuit turn on and off, and acts as an isolation.

4.1 Operating Environment

4.1.1 Ambient temperature

Applicable environment temperature is -25 ~ +70°C, the average within 24 h shall not be more than +35°C. If the ambient temperature is below -25°C 40°C, then JDA-W2GF and JDA-W2GZF products may be chosen. If the ambient temperature is higher than +40°C, the user needs to reduce the capacity. See Table 2 for the derating factor of the disconnecting switch.

Table 2

Ambient temperature	+40°C	45°C	-50°C	55°C	60°C	70°C
Allowable continuous rated current	1.0In	0.95In	0.89In	0.85In	0.78In	0.63In

Note: The above data is calculated according to the test and theory. The data represent only guidelines and recommendations.

4.1.2 Atmospheric environment conditions

When the ambient air temperature is +40°C, the relative humidity of atmosphere shall not be more than 50%. At low temperature, a higher relative humidity is allowed, for example, in case of +25°C, the relative humidity of atmosphere can be 90%. For condensation due to temperature change, dehumidification or corresponding measures should be taken.

JDA-W2GF and JDA-W2GZF meet IEC60068-2, with alternating and cyclic thermal humidity (temperature 55°C, relative humidity 95%). For the condensation due to temperature change, it is required to take the dehumidification or corresponding measures, or contact the manufacturer.

4.1.3 Altitude

Altitude of the installation site shall not exceed 2,000 m.

If the altitude of the installation site is between 2,000 m to 5000m, it can be specially customized. For the working performance, refer to the correction value in the following table (Table 3).

Table 3

Altitude	2000m	3000m	4000m	5000m
Power frequency withstand voltage	3500V	3150V	2500V	2000V
Rated current	1.0In	0.93In	0.88In	0.82In



4.1.4 Anti-corrosion level

Salt mist: Level 2, complying with the requirements in "Environmental testing for electric and electronic products" (IEC 60068-2-11)

4.1.5 Pollution level

Pollution level: Level 3

The disconnecting switch can be operated in the industrial environment specified in IEC 60664 1. However, we still recommended that it shall be installed in a switchgear device with suitable temperature and no excessive dust pollution.

4.1.6 Shockproof requirements

The disconnecting switch can ensure resistance to electromagnetic or mechanical shock, and has passed the IEC 60721-3 standard test;

Amplitude: ± 1.5 mm (2-9 Hz);

Constant acceleration: 5 m/s^2 (9-200 Hz);

Super strong shock may result in damage to the parts, and impact the reliable action of the disconnecting switch.

4.1.7 Electromagnetic interference

The disconnecting switch can resist the following electromagnetic interference

- Overvoltage caused by electromagnetic interference;
- Overvoltage due to aging of the distribution system or environmental interference;
- Radio wave;
- Electrostatic discharge.

The disconnecting switch has passed the electromagnetic compatibility (EMC) test stipulated by following standards

- IEC 60947-3:2005

The above tests can ensure that the disconnecting switch won't wrongly occur tripping.

4.2 Installation conditions

With the vertical gradient no more than 5° , the disconnecting switch shall be installed under the environment condition without explosion danger, conductive dust or the possibility of corroding metal and damaging the insulation.

4.2.1 Installation category

The disconnecting switch's main circuit and undervoltage release coils, power transformer primary coil installation category is IV; the rest auxiliary circuit and control circuit installation category is III.

4.2.2 Protection class

IP30 and IP40 (installed in a cubicle and equipped with a protective door frame).

4.2.3 Utilization category

AC-22A, AC-23A, DC-22A, DC-23A



4.3 Reference Specifications of Disconnecting Switch's Main Circuit Copper Bar (Table 4)

Table 4

Rated current of housing Inm (A)	Rated current In (A) 40°C	Copper bar specification	
		Dimensions	Number
2000	400, 630	60mm×5mm	2
	800	60mm×5mm	2
	1000	60mm×5mm	2
	1250	60mm×10mm	2
	1600	60mm×10mm	2
	2000	60mm×10mm	3
4000	800, 1000, 1250, 1600, 2000, 2500	100mm×5mm	4
	3200, 4000	100mm×10mm	5

Note:

1. The table indicates the copper bar specifications adopted when the disconnecting switch is under the ambient temperature of +40°C and the open wide installation under the heating condition meets the stipulation in IEC 60947-3. If the temperature is higher than +40°C, the quantity of copper bar should be increased, or the capacity should be reduced.
2. The above data is calculated according to the test and theory, and for reference only.
3. The maximum permissible temperature of the copper bar is no more than +110°C.
4. The electrical gap of copper bar is ≥ 15 mm with the altitude more than 5, 000m and relative humidity more than 90%; the electrical gap shall be adjusted according to the content of 7.1.1 Table 1 in IEC 61000-413:2002, IDT.

4.4 The power loss of the incoming and outgoing lines of the disconnecting switch (ambient temperature +40°C) is as shown in Table 5:

Table 5

Frame size level	Power loss of the fixed type	Power loss of the drawout type
2000	≤ 208 VA	≤ 380 VA
4000	≤ 650 VA	≤ 900 VA

Note: The above power loss value is measured when the disconnecting switch is powered on test current (maximum rated current of the disconnecting switch) In for 8 h and after the main circuit temperature rise tends to the steady state. The test method is in accordance with G.2 in Appendix G of IEC/EN 60947-2.



Chapter 5 Outline and Installation Dimensions

5.1 JDA-W2G-2000/JDA-W2GF-2000	24
5.2 JDA-W2G-4000/JDA-W2GF-4000	27
5.3 JDA-W2GZ-2000/JDA-W2GZF-2000	35
5.4 JDA-W2GZ-4000/JDA-W2GZF-4000	38
5.5 Cabinet door open hole and installation pitch	43
5.6 Installation Notes on Disconnecting Switch	44

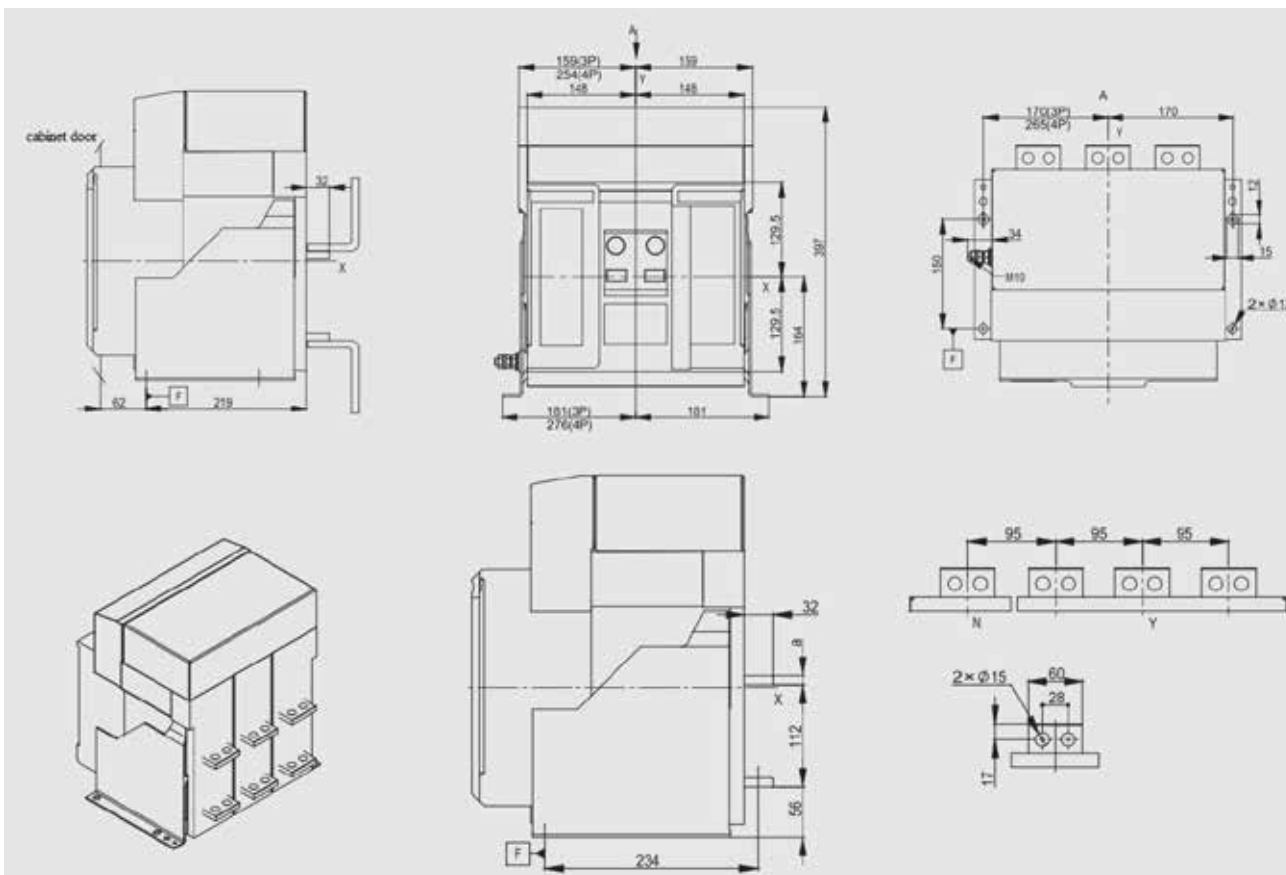


Outline and Installation Dimensions

5.1 JDA-W2G-2000/JDA-W2GF-2000

JDA-W2G-2000/JDA-W2GF-2000 fixed wiring

Dimensions



Fixed Details

Note: X and Y axes are the symmetric axes of the front mask;

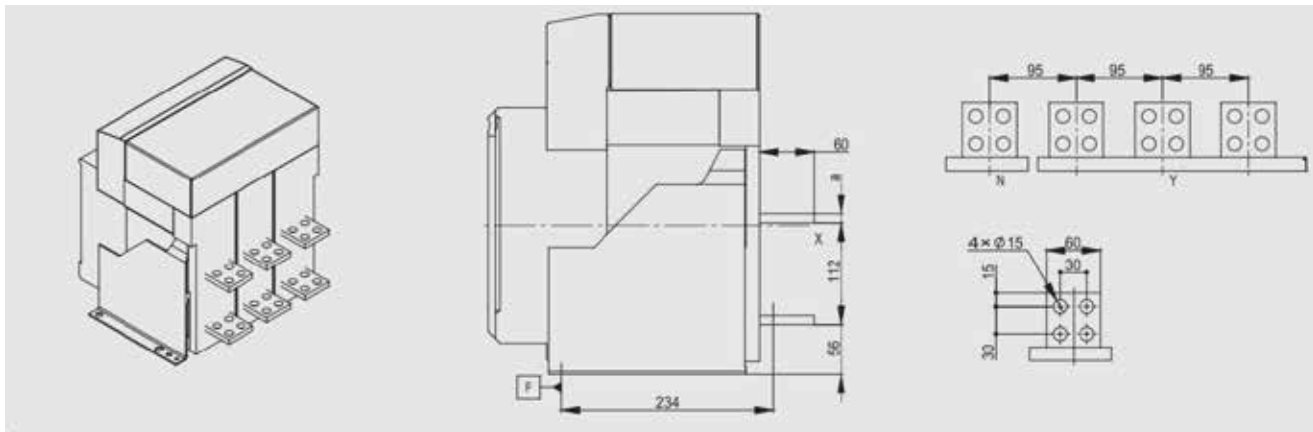
Connection bolt between bus and terminal	Torque applied with a flat washer (N.m)
M12	60
Rated current	Size of busbar a (mm)
400A, 630A, 800A	10
1000A, 1250A, 1600A	15
2000A	20

Note: "a" size of the JDA-W2GF-2000 product is 20mm;



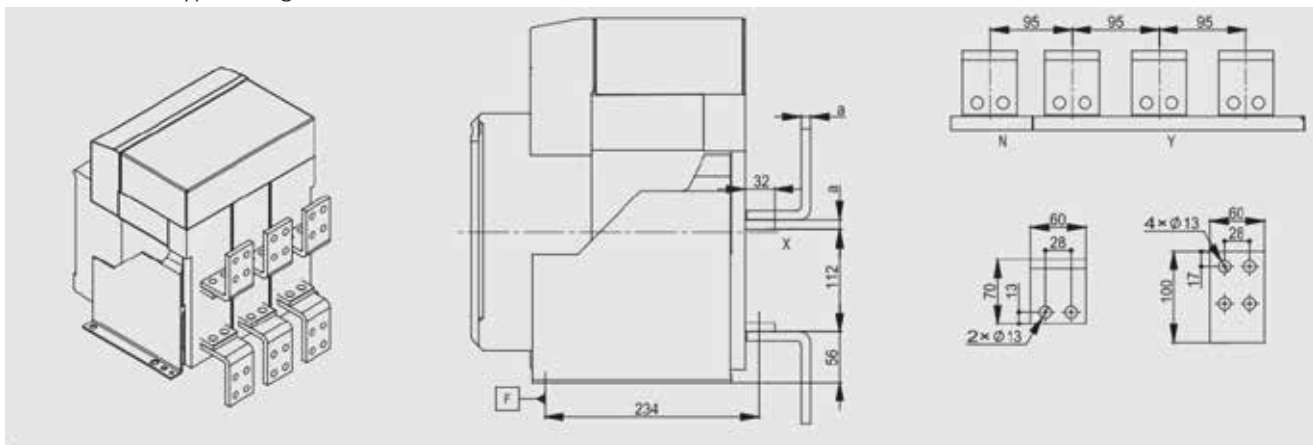
Horizontal Extended Wiring

Detail



L-type wiring

Detail



Note: X and Y axes are the symmetric axes of the front mask;

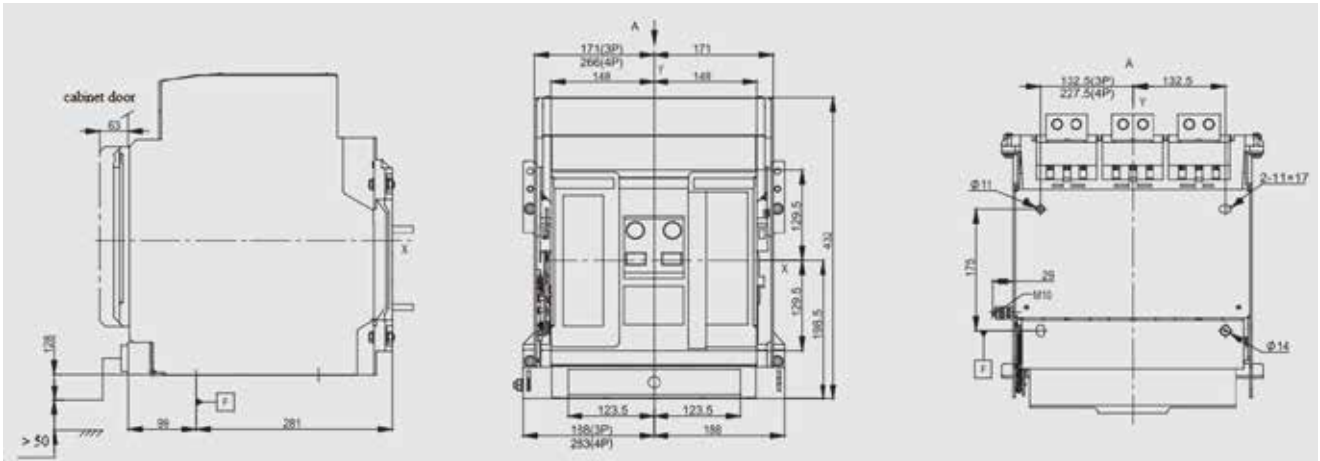
Rated current	Size of busbar a (mm)
400A, 630A, 800A	10
1000A, 1250A, 1600A	15
2000A	20

Note: "a" size of the JDA-2GF-2000 product is 20mm.



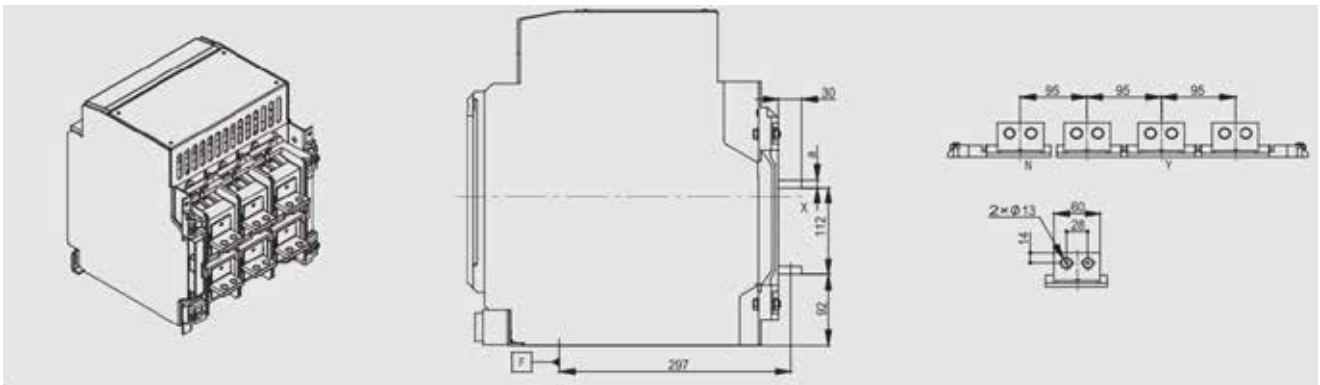
JDA-W2G-2000/JDA-W2GF-2000 drawout wiring Dimensions

Fixed Details



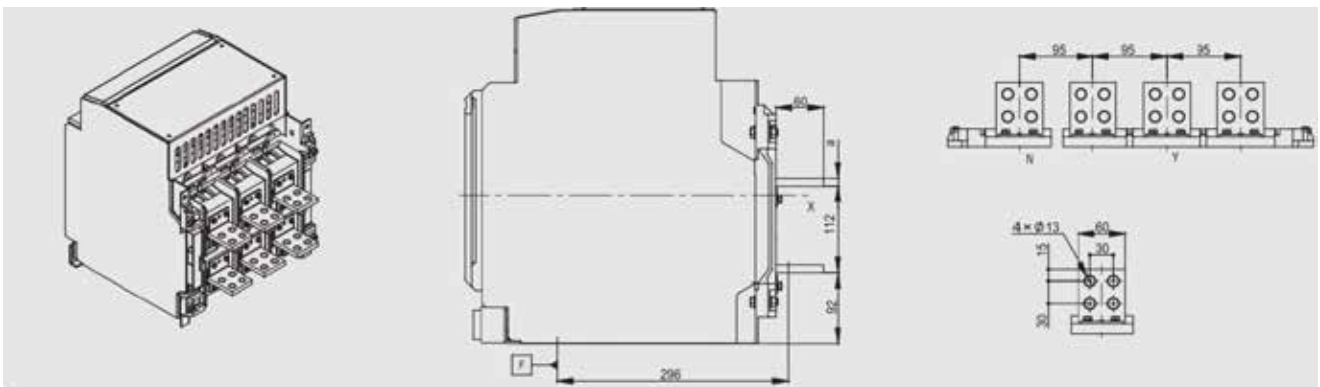
Horizontal Wiring

Details



Horizontal Extended Wiring

Fixed Details



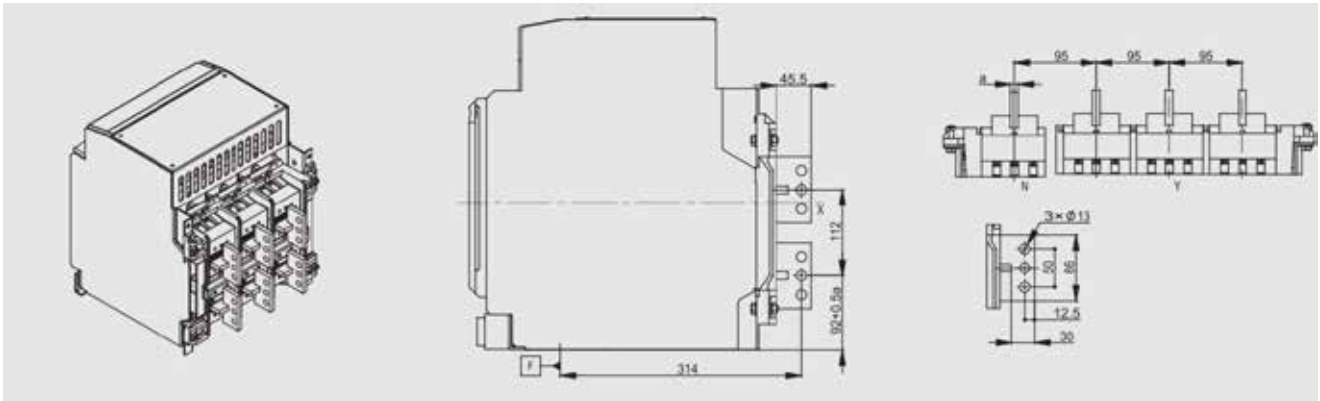
Note: X and Y axes are the symmetric axes of the front mask;

Connection bolt between bus and terminal	Torque applied with a flat washer (N.m)
M12	60
Rated current	Size of busbar a (mm)
400A, 630A, 800A	10
1000A, 1250A, 1600A	15
2000A	20

Note: "a" size of the JDA-W2GF-2000 product is 20mm.

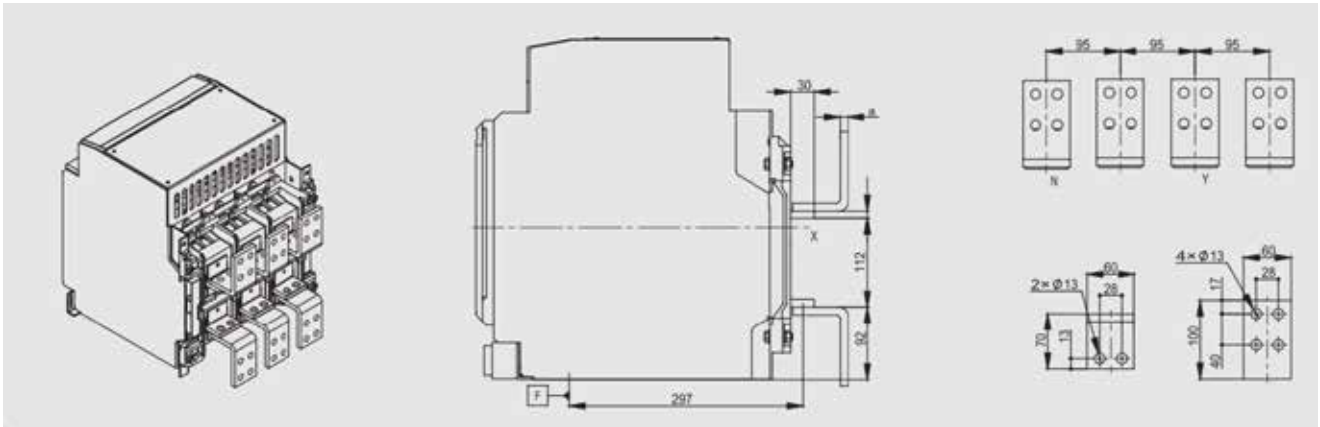


Vertical Wiring



Detail

L type wiring



Detail

Note: X and Y axes are the symmetric axes of the front mask;

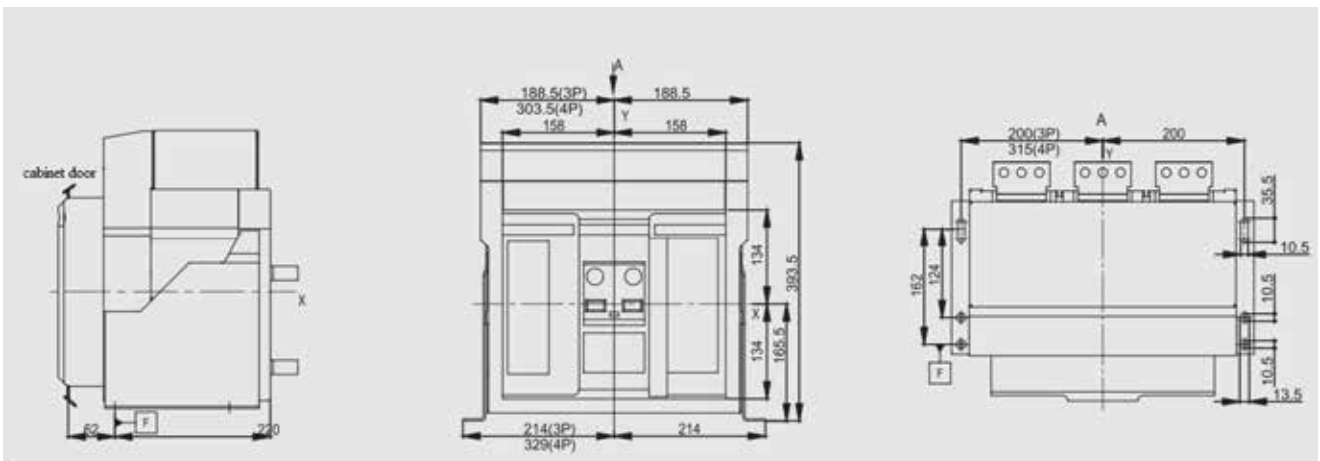
Rated current	Size of busbar a (mm)
400A, 630A, 800A	10
1000A, 1250A, 1600A	15
2000A	20

Note: "a" size of the JDA-W2GF-2000 product is 20mm.

5.2 JDA-W2G-4000/JDA-W2GF-4000

JDA-W2G-4000/JDA-W2GF-4000 fixed type (unit: mm) Dimensions

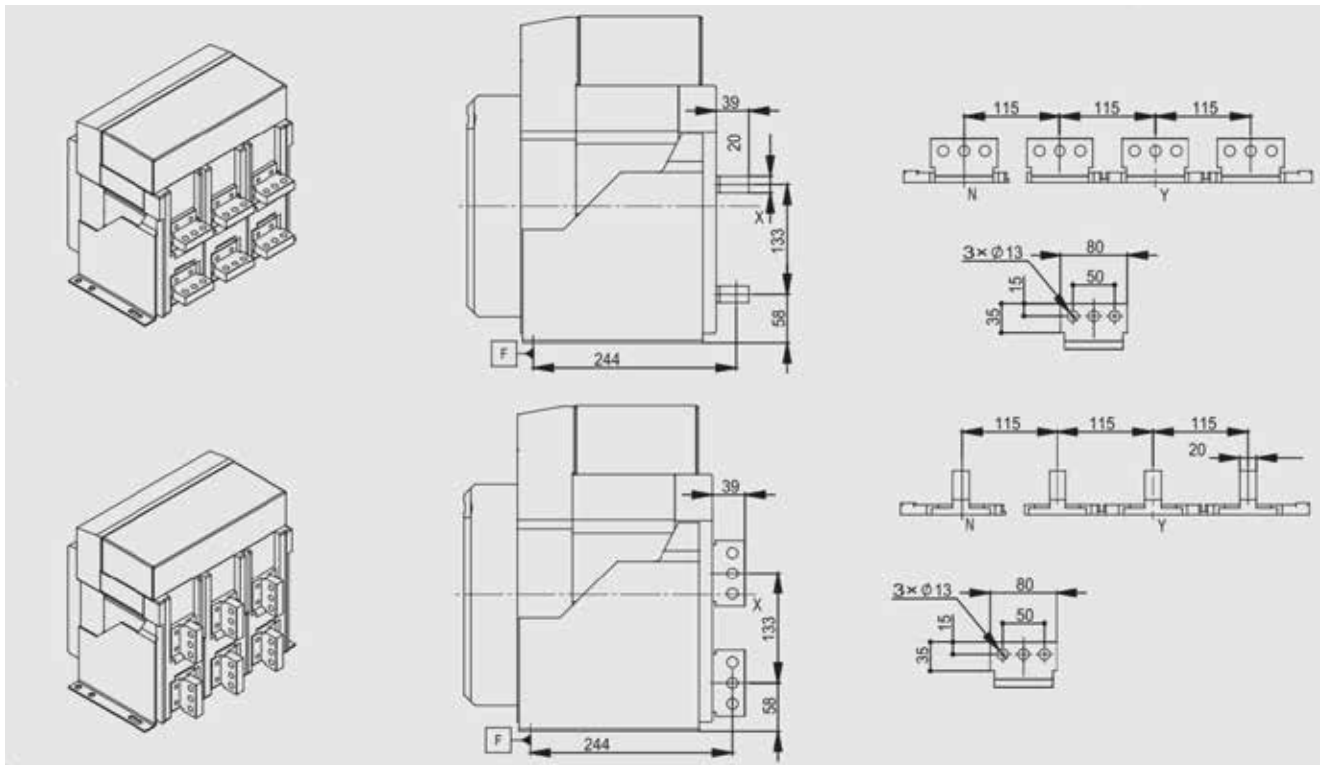
Fixed Details





800A 2500A Horizontal Wiring, Vertical Wiring

Fixed Details



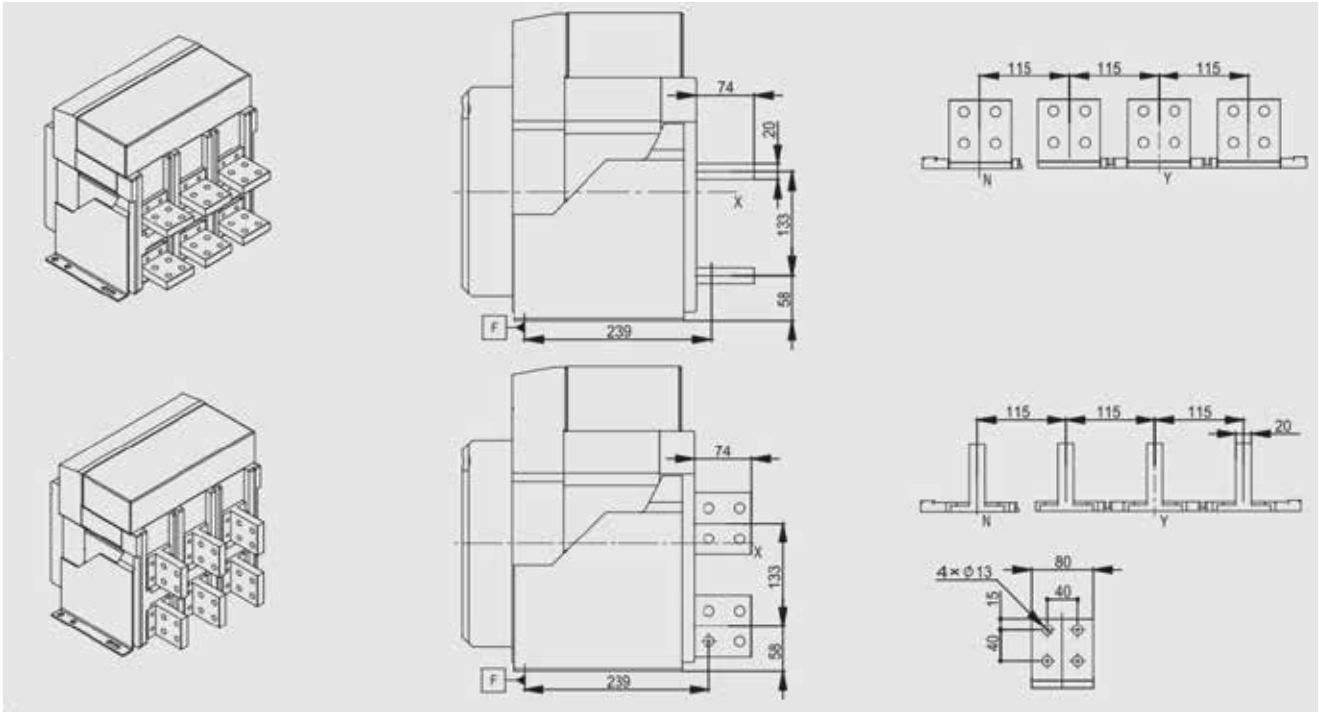
Note: X and Y axes are the symmetric axes of the front mask;

Connection bolt between bus and terminal	Torque applied with a flat washer (N.m)
M12 (800-2500A)	60
M14 (3200-4000A)	97



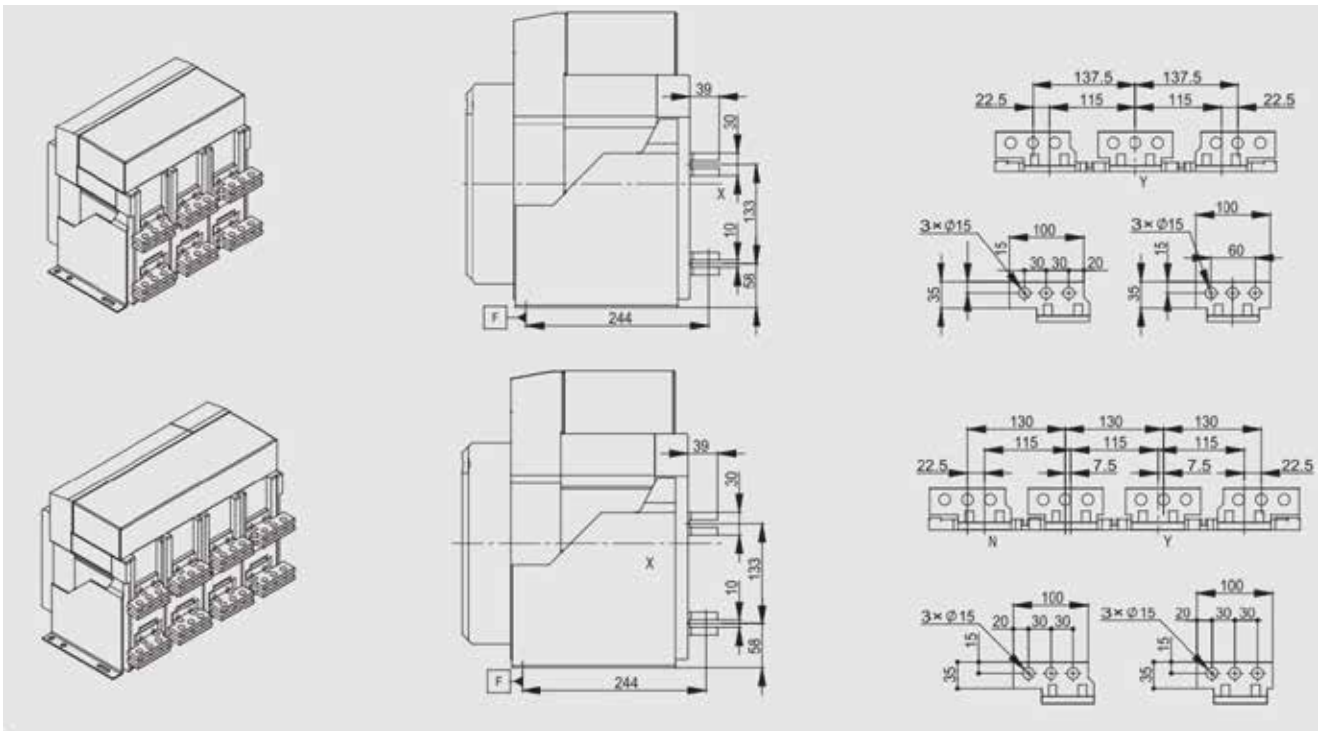
800A 2500A Horizontal Extended Wiring, Vertical Extended Wiring

Fixed Details



3200A-4000A Horizontal Wiring

Detail

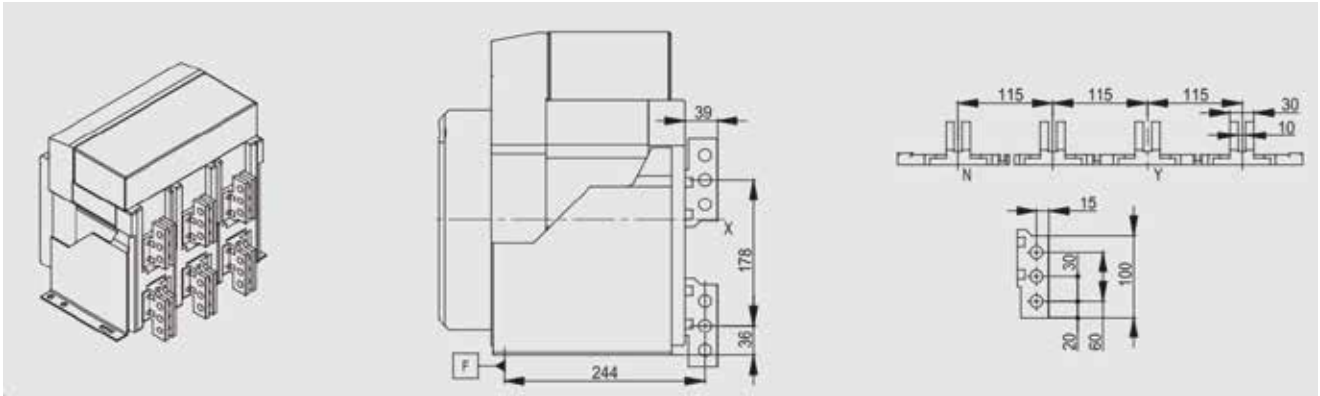


Note: X and Y axes are the symmetric axes of the front mask;



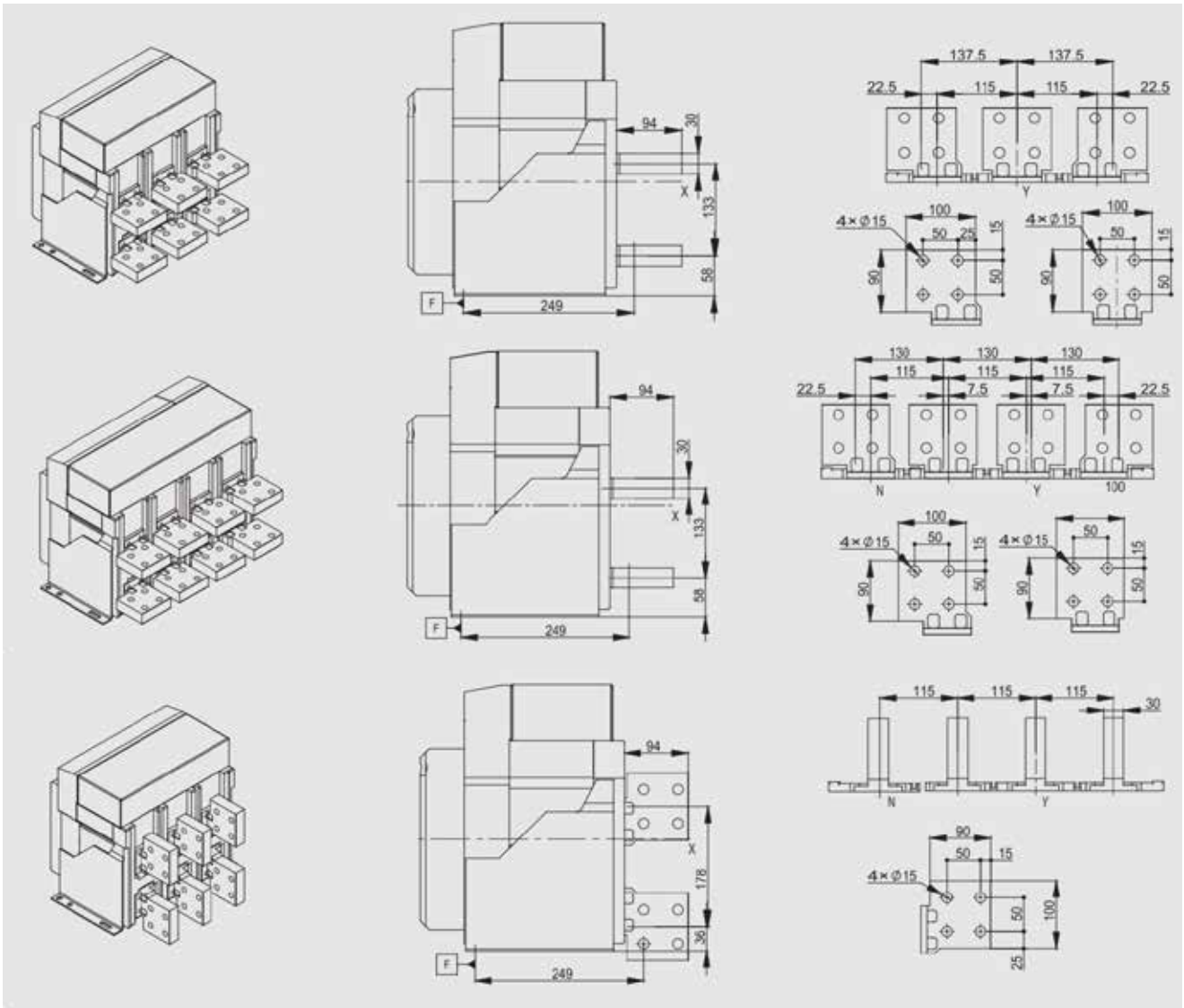
3200A-4000A Vertical Wiring

Detail



3200A-4000A Horizontal Extended Wiring, Vertical Extended Wiring

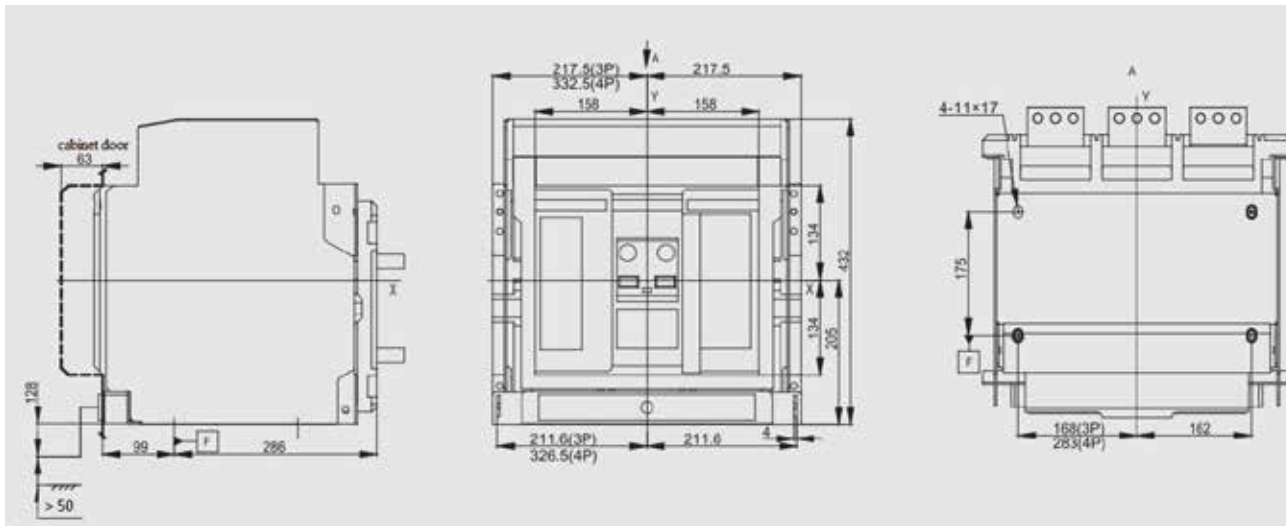
Fixed Details



Note: X and Y axes are the symmetric axes of the front mask;

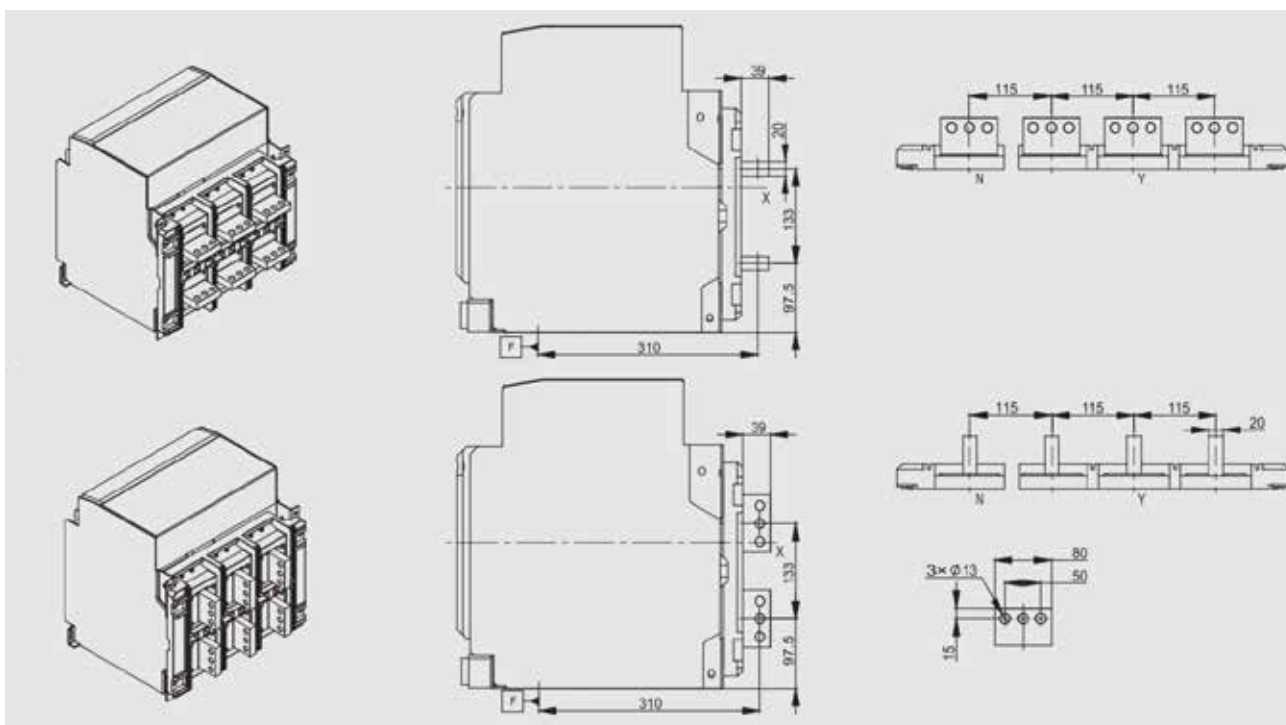
JDA-W2G-4000/JDA-W2GF-4000 drawout wiring Dimensions

Fixed Details



800A-2500A Horizontal Extended Wiring, Vertical Extended Wiring

Fixed Details



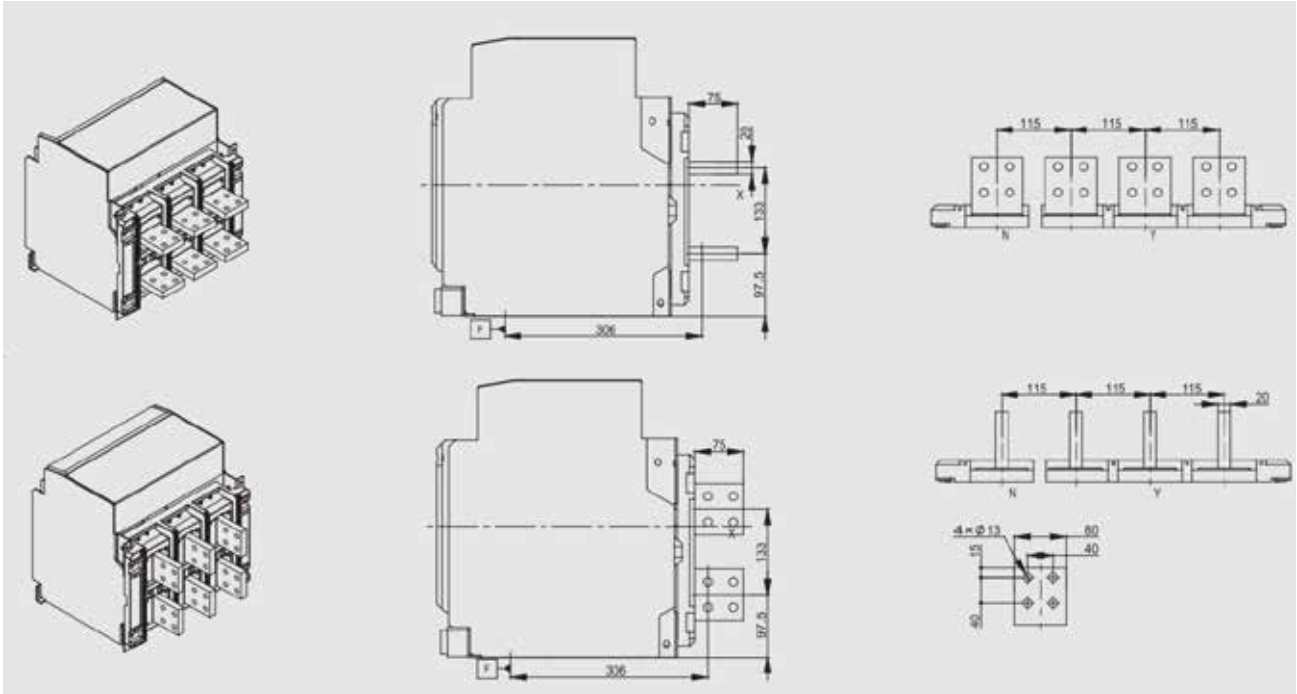
Note: X and Y axes are the symmetric axes of the front mask.

Connection bolt between bus and terminal	Torque applied with a flat washer (N.m)
M12 (800-2500A)	60
M14 (3200-4000A)	97



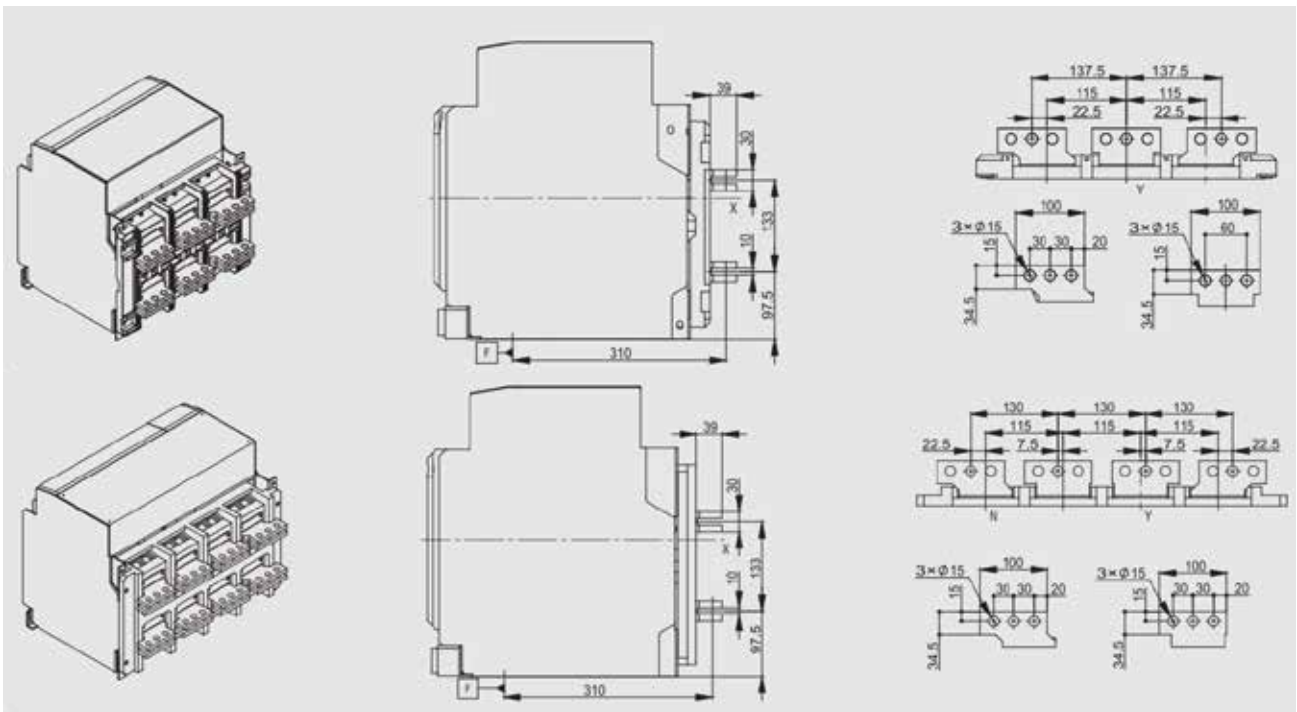
800A-2500A Horizontal Extended Wiring, Vertical Extended Wiring

Fixed Details



3200A-4000A Horizontal Wiring

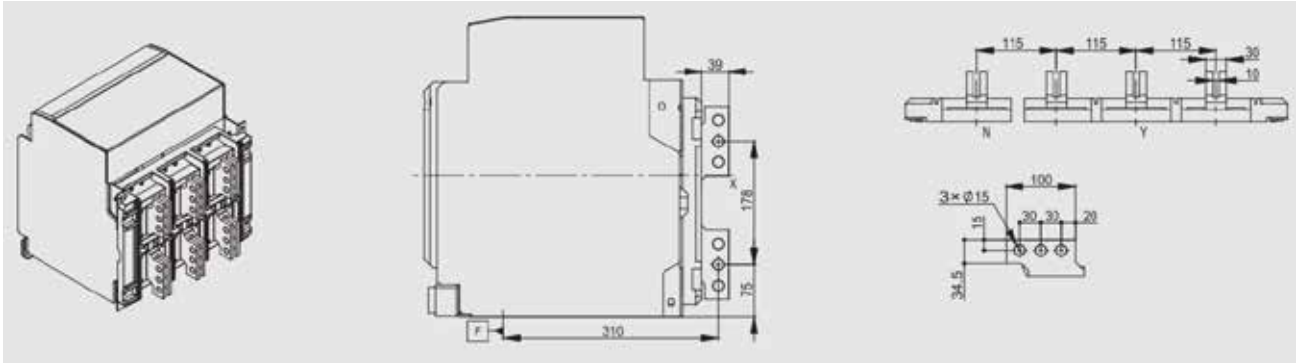
Detail



Note: X and Y axes are the symmetric axes of the front mask.



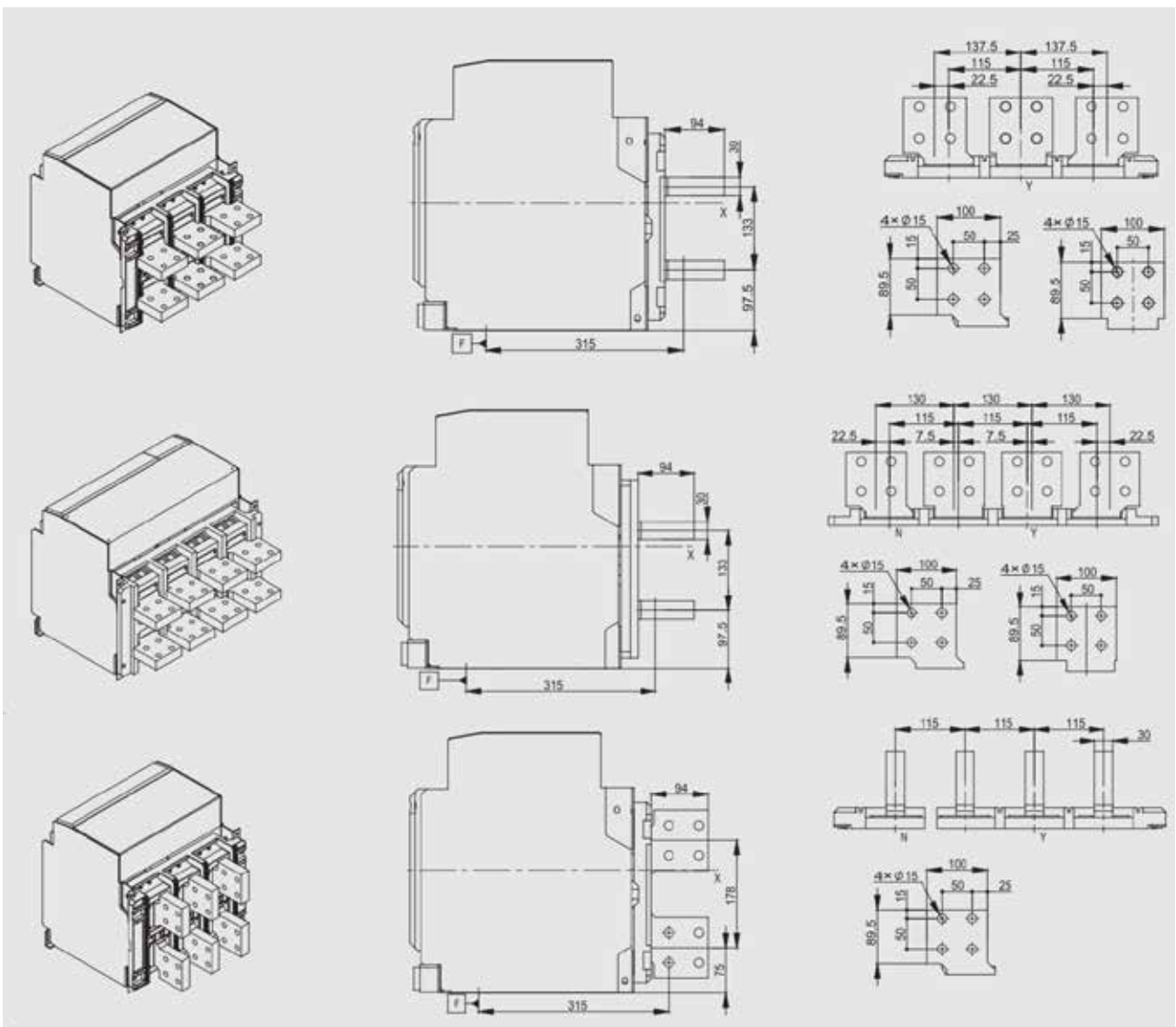
3200A-4000A Vertical Wiring



Detail

3200A-4000A Horizontal Extended Wiring, Vertical Extended Wiring

Fixed Details



Note: X and Y axes are the symmetric axes of the front mask.



In the DC system, consider the following aspects for selecting the switching device:

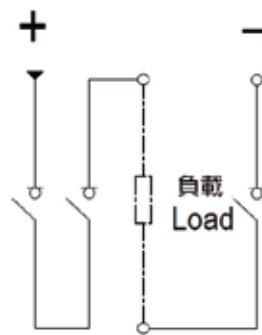
- Rated working voltage, considering the number of poles in series to be broken
- Rated current, considering the load power
- Grounding system mode

Three pole string disconnecting switch -----B type wiring

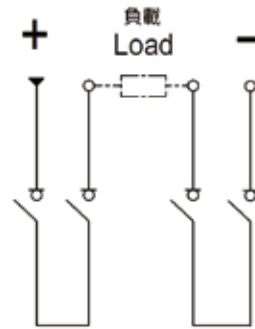
Four pole string disconnecting switch -----C type wiring

Recommended wiring mode of JDA-W2GZ DC disconnecting switch

Rated voltage	Power supply/load wiring mode	
	System not grounded	Center grounding system
DC750V	C	B
DC1000V/DC1500V	C	C



Type B Wiring Method

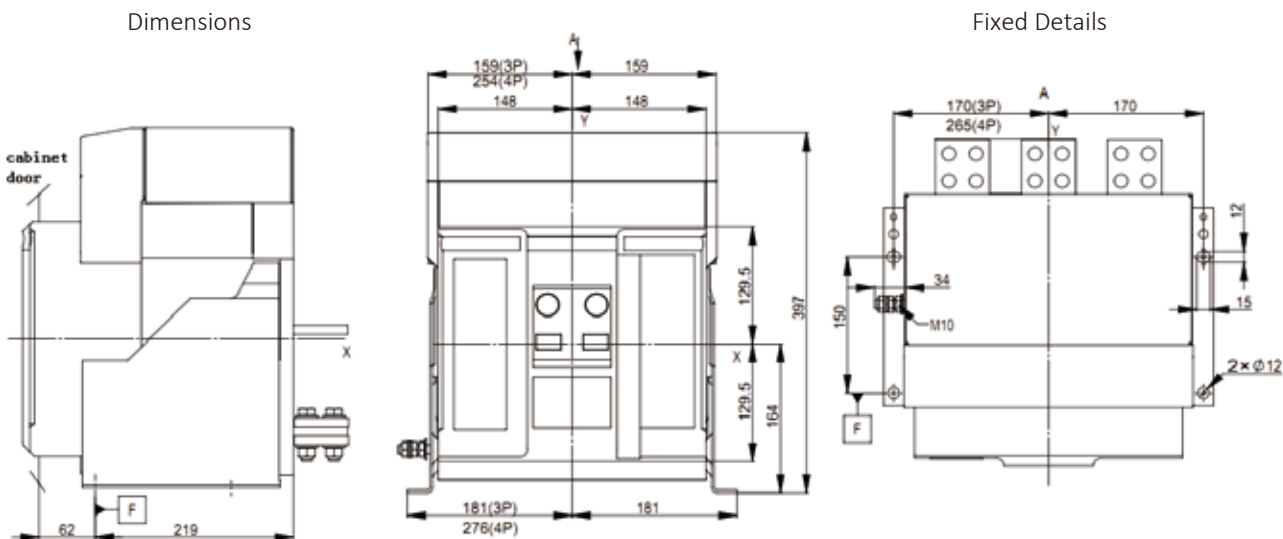


Type C Wiring Method

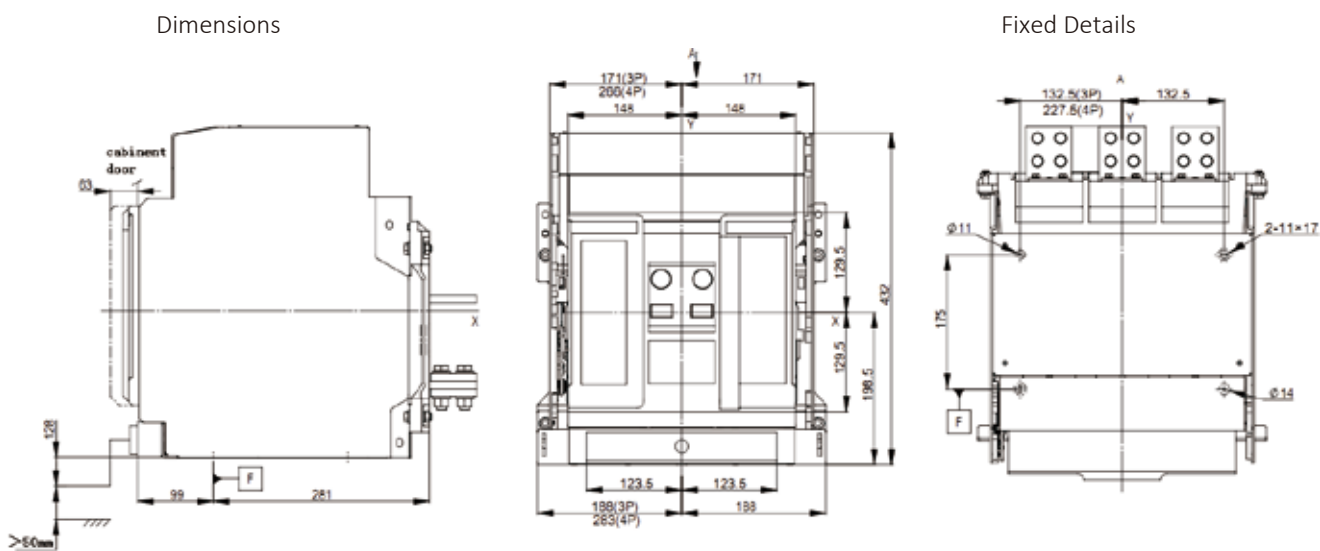
Note: In case of connection in parallel or series with the bus directly, the continuous load of the disconnecting switch will be only 80% of the maximum operating current due to heating reasons.
In case of implementing the parallel or series connection in a place about 1m from the bus, the disconnecting switch can operate at full load.



5.3 JDA-W2GZ-2000/JDA-W2GZF-2000 JDA-W2GZ-2000/JDA-W2GZF-2000 fixed wiring



JDA-W2GZ-2000/JDA-W2GZF-2000 drawout wiring



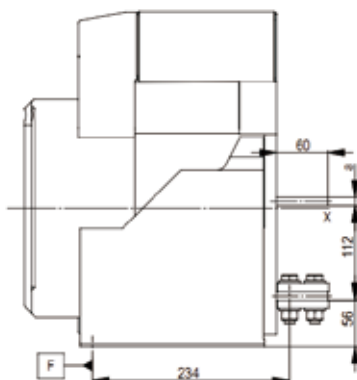
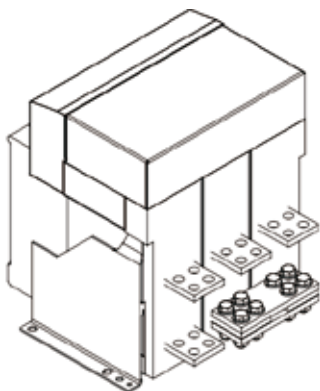
Note: For the 3-pole disconnecting switch, X and Y are the symmetric axes of the front mask. Except as specified, outline dimensions of JDA-W2GZ and JDA-W2GZF are consistent.

Connection bolt between bus and terminal	Torque applied with a flat washer (N.m)
M12	60

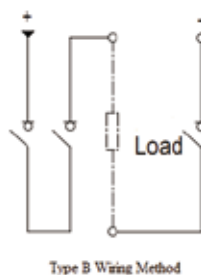
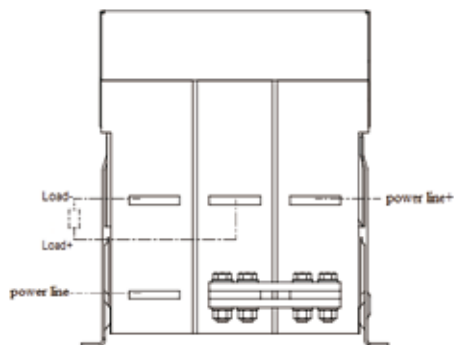
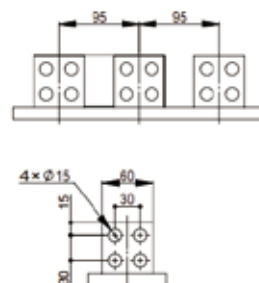


JDA-W2GZ-2000/JDA-W2GZF-2000 fixed type (DC Type B wiring mode)

Dimensions

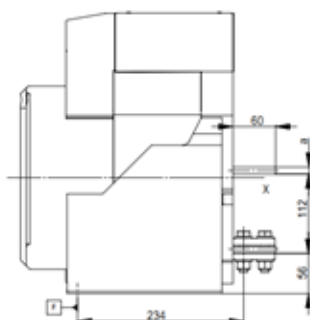
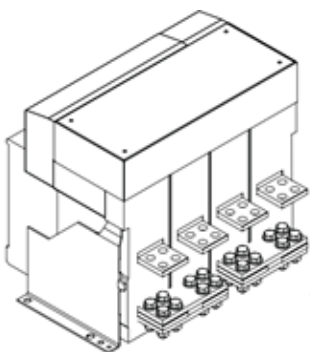


Details

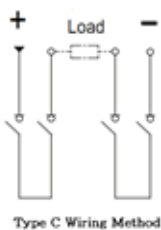
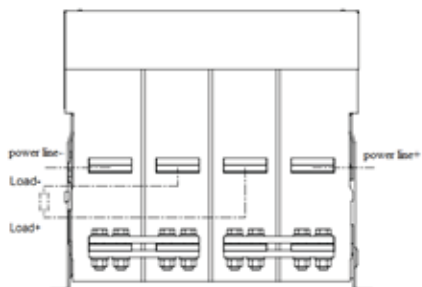
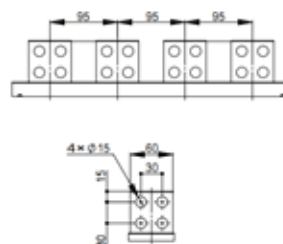


JDA-W2GZ-2000/JDA-W2GZF-2000 fixed type (DC Type C wiring mode)

Dimensions



Details

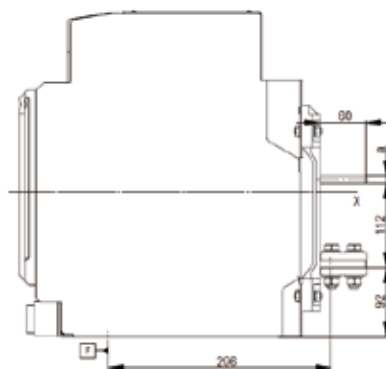
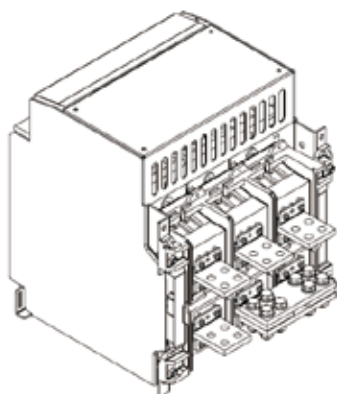


Rated current	Busbar a size (mm)
800A	10
1000A, 1250A, 1600A	15
2000A	20

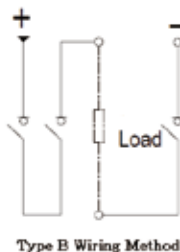
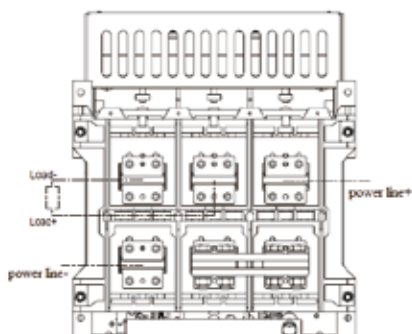
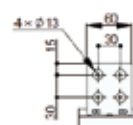
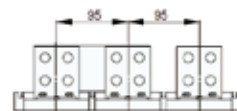
Note: For the 3-pole disconnecting switch, X and Y are the symmetric axes of the front mask.

JDA-W2GZ-2000/JDA-W2GZF-2000 drawout type (DC Type B wiring mode)

Dimensions

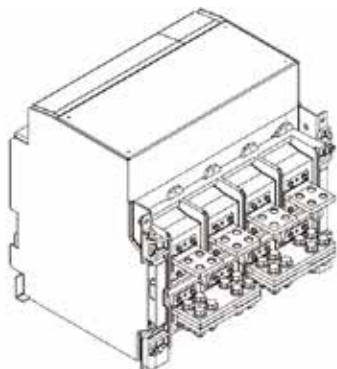


Details

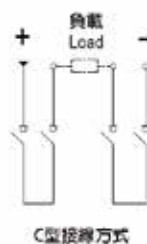
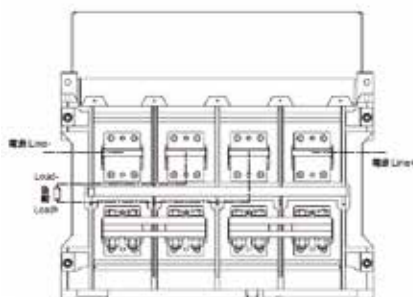
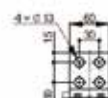
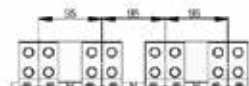


JDA-W2GZ-2000/JDA-W2GZF-2000 drawout type (DC Type C wiring mode)

Dimensions



Details



Rated current	Busbar a size (mm)
800A	10
1000A, 1250A, 1600A	15
2000A	20

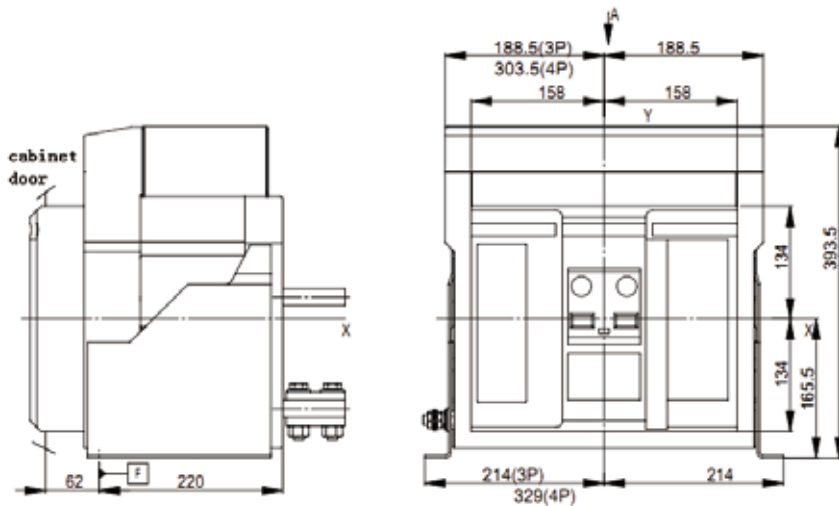
Note: For the 3-pole disconnecting switch, X and Y are the symmetric axes of the front mask.



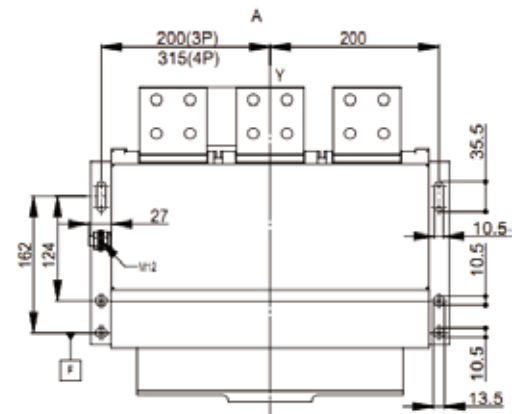
5.4 JDA-W2GZ-4000/JDA-W2GZF-4000

JDA-W2GZ-4000/JDA-W2GZF-4000 fixed wiring

Dimensions

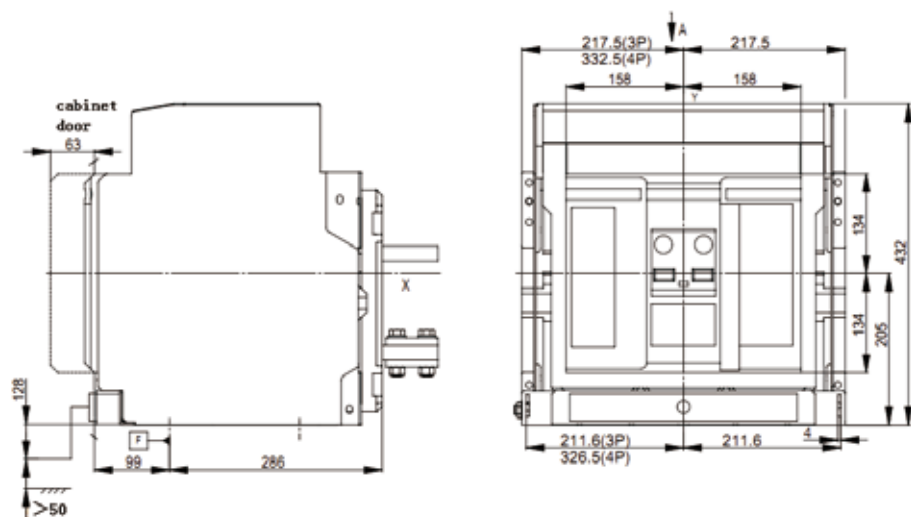


Fixed Details

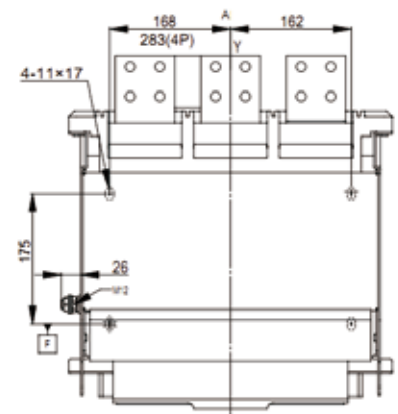


JDA-W2GZ-4000/JDA-W2GZF-4000 drawout wiring

Dimensions



Fixed Details



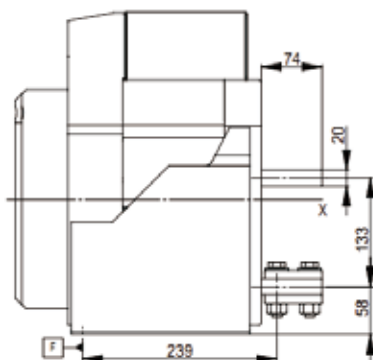
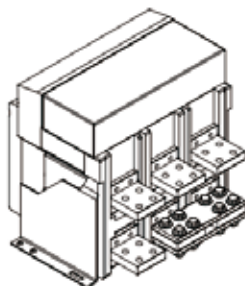
Note: For the 3-pole disconnecting switch, X and Y are the symmetric axes of the front mask. Except as specified, outline dimensions of JDA-W2GZ and JDA-W2GZF are consistent.

Connection bolt between bus and terminal	Torque applied with a flat washer (N.m)
M12 (800-2500A)	60
M14 (3200-4000A)	97

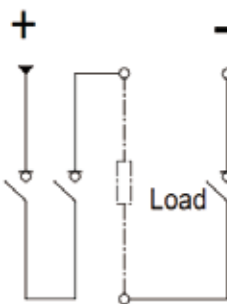
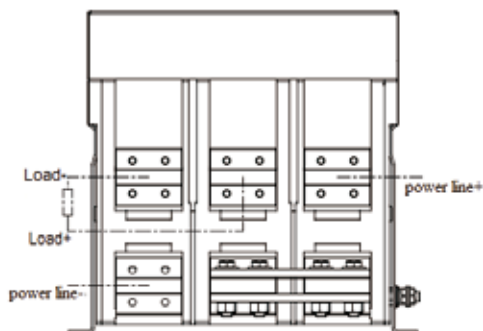
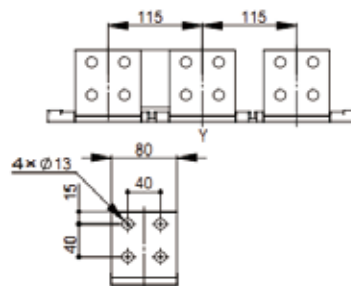


800A-2500A fixed type (DC Type B wiring mode)

Dimensions



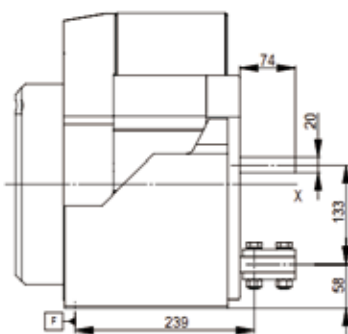
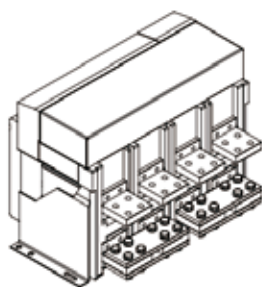
Details



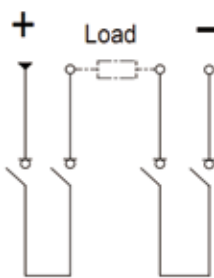
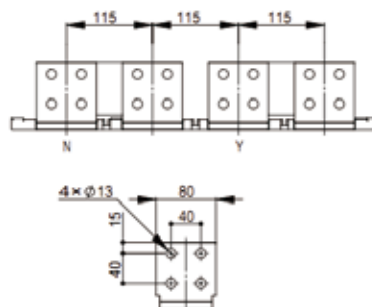
Type B Wiring Method

800A-2500A fixed type (DC Type C wiring mode)

Dimensions



Details

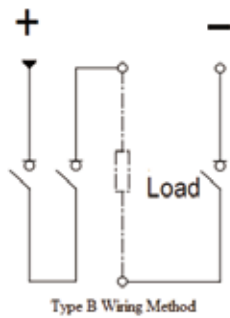
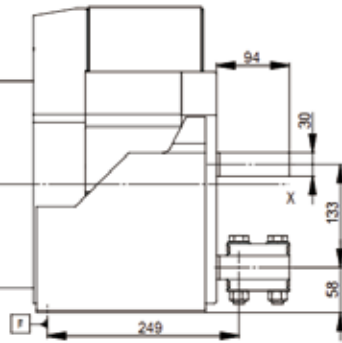
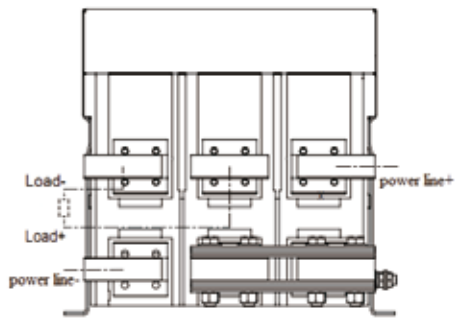
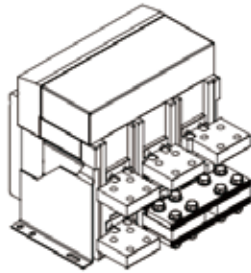


Type C Wiring Method

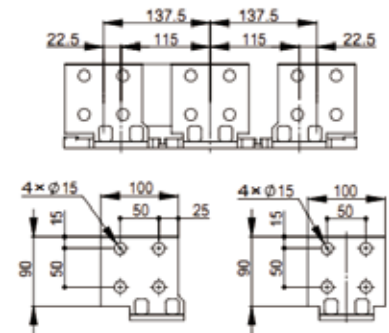


3200A-4000A fixed type (DC Type B wiring mode)

Dimensions

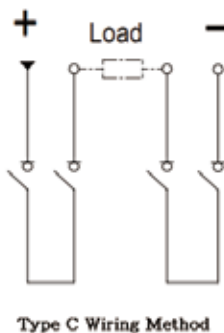
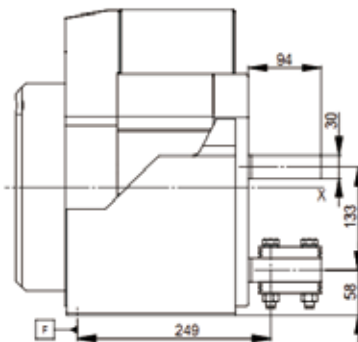
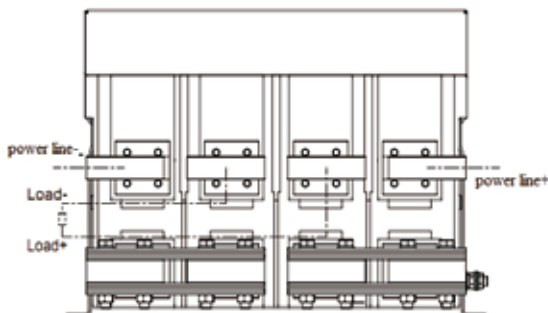
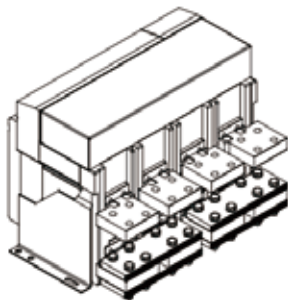


Details

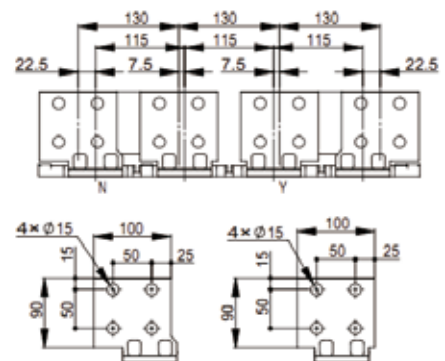


3200A-4000A fixed type (DC Type C wiring mode)

Dimensions



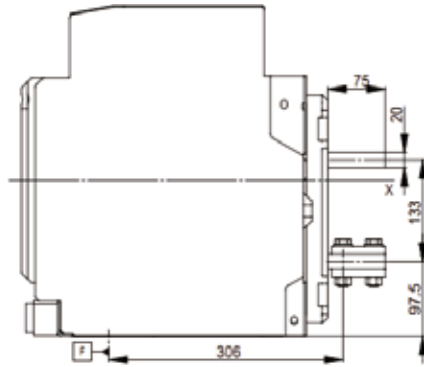
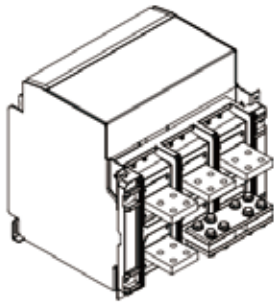
Details



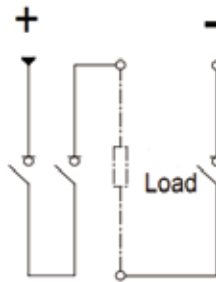
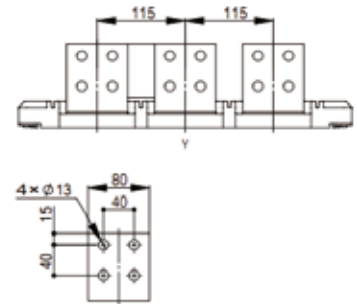


800A-2500A drawout type (DC Type B wiring mode)

Dimensions



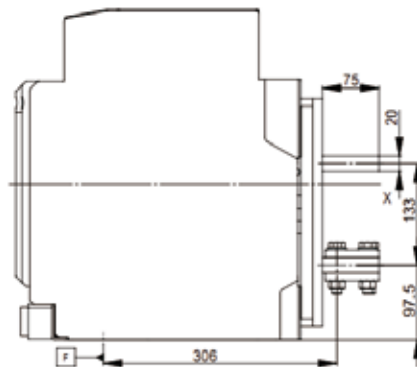
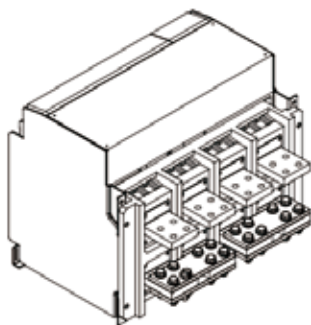
Details



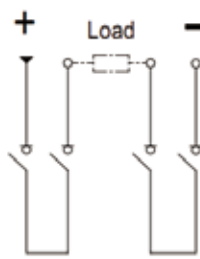
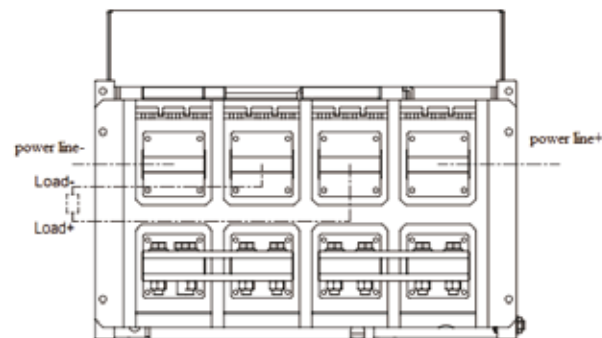
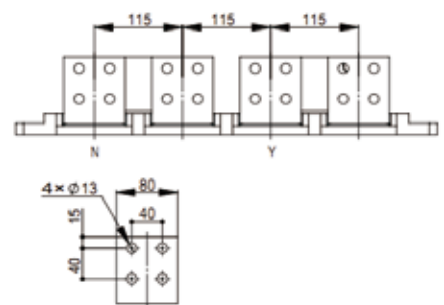
Type B Wiring Method

800A-2500A drawout type (DC Type C wiring mode)

Dimensions



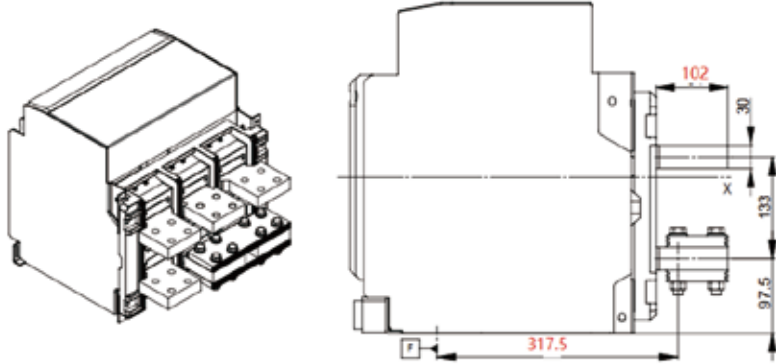
Details



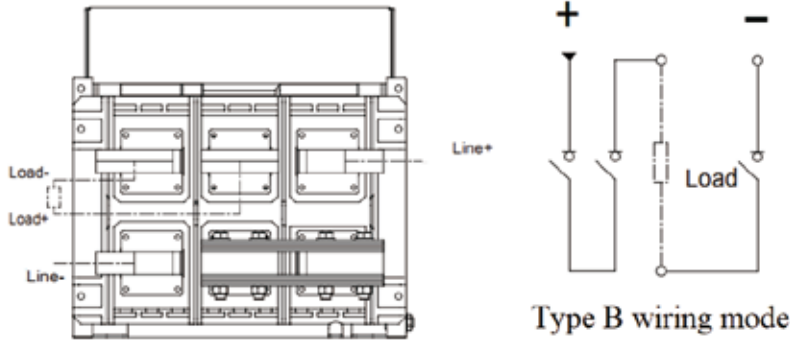
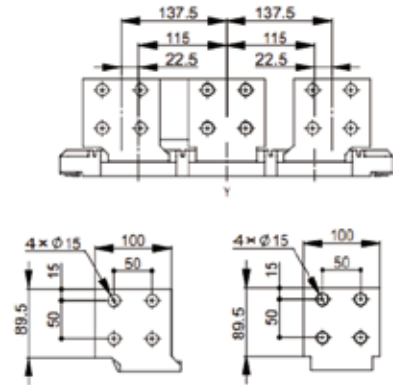
Type C Wiring Method

3200A-4000A drawout type (DC Type B wiring mode)

Dimensions

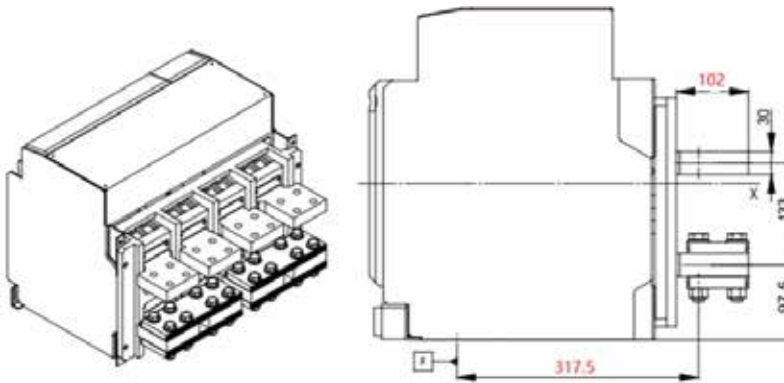


Details

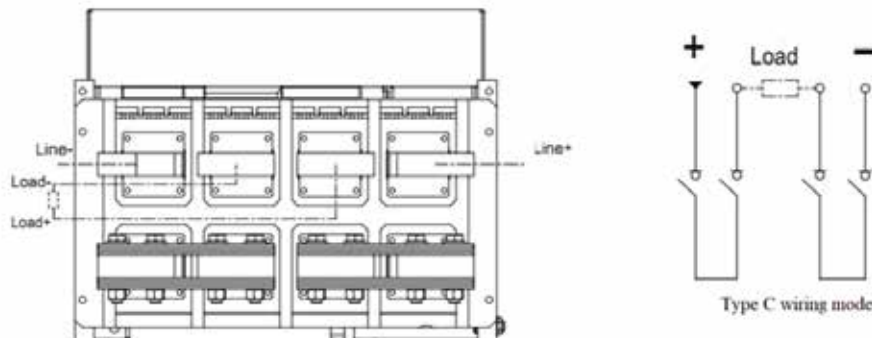
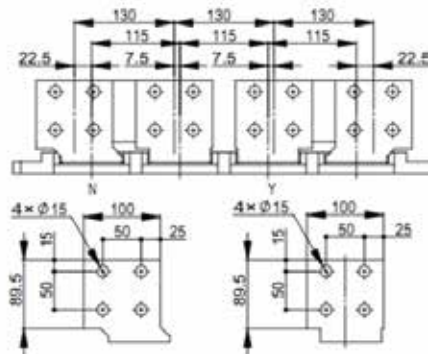


3200A-4000A drawout type (DC Type C wiring mode)

Dimensions



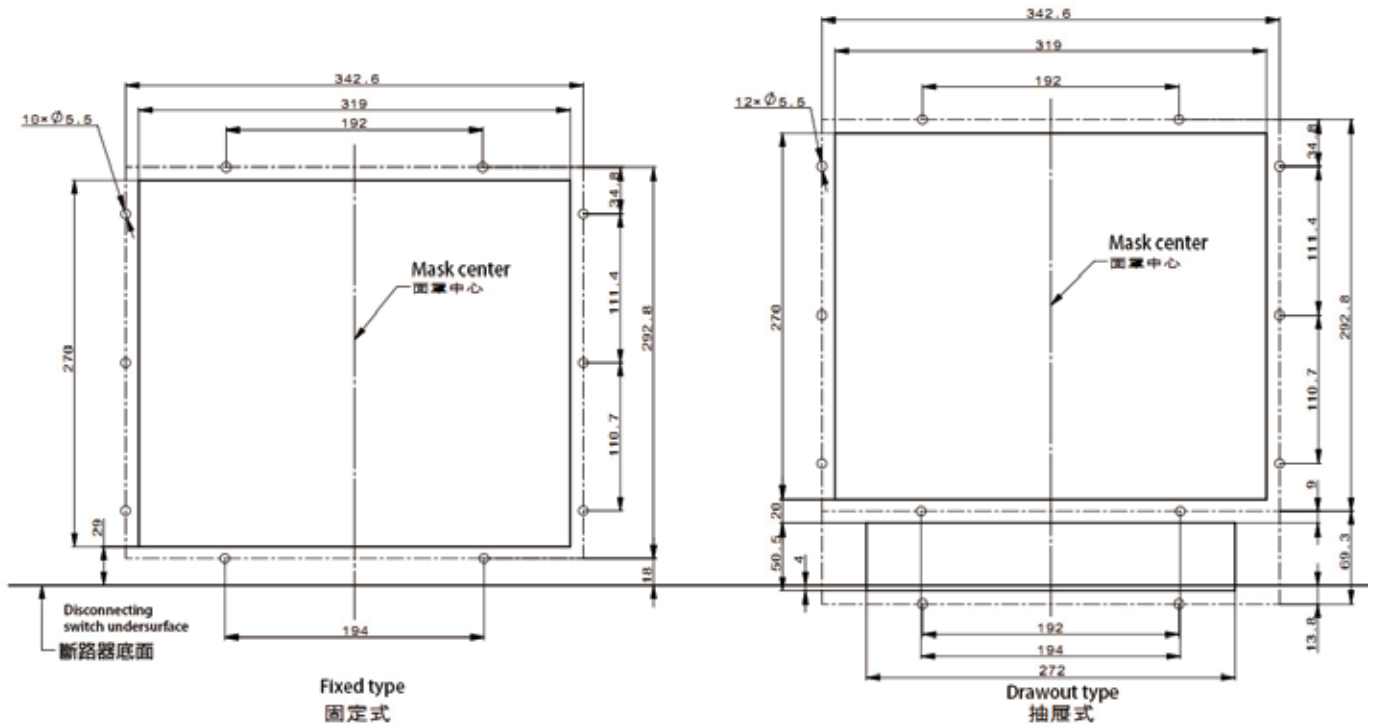
Details



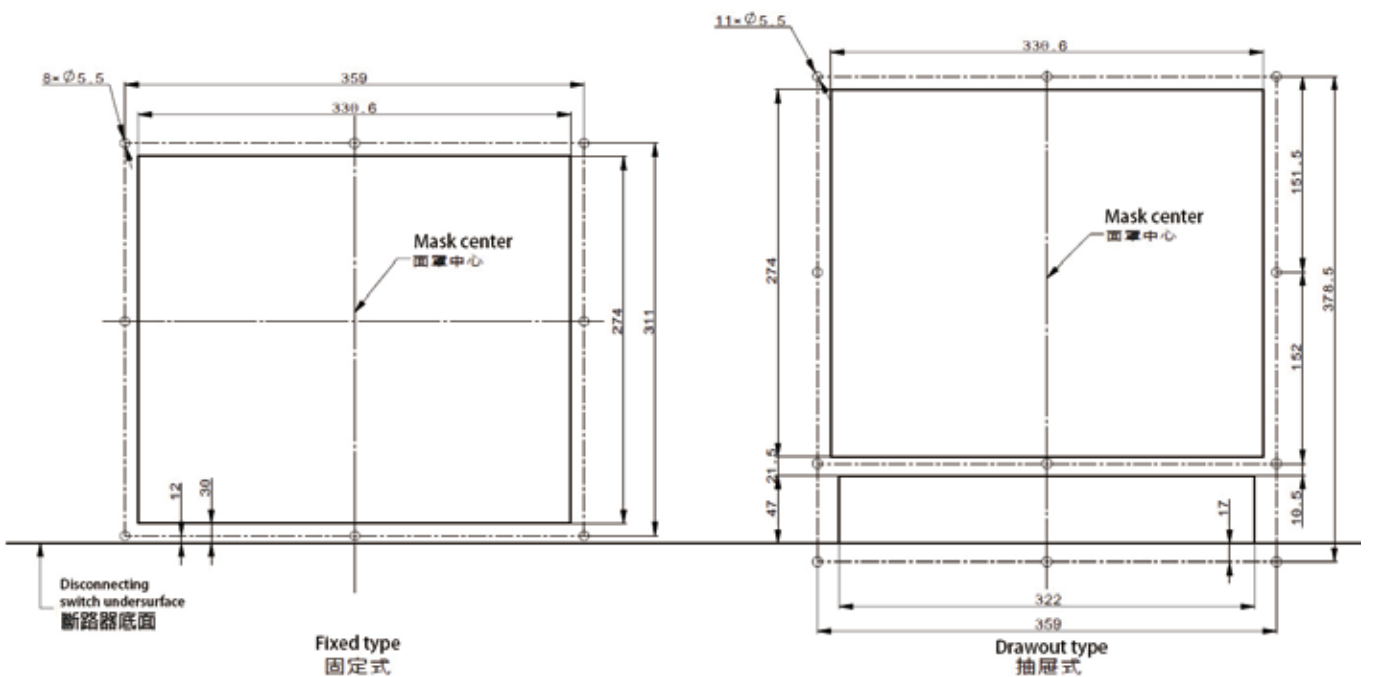


5.5 Cabinet door open hole and installation pitch

Hole dimensions of 2000 door frame (unit: mm)



Hole dimensions of 4000 door frame (unit: mm)





5.6 Installation Notes on Disconnecting Switch

To ensure your safety and the safety of electrical equipment, before put the disconnecting switch into operation, users must:

- a. Carefully read the Operation Manual before installation and use of the disconnecting switch.
- b. Check whether the specification of the disconnecting switch is in line with the requirements before installation.
- c. Install the disconnecting switch under the environment condition without explosion danger, conductive dust or the possibility of corroding metal and damaging the insulation.
- d. Measure the insulation resistance of the disconnecting switch with a 1000V megohmmeter before installation of the disconnecting switch. When the surrounding medium temperature is $+20^{\circ}\text{C} \pm 5^{\circ}\text{C}$, the relative humidity 70% should not be less than 10 mge; otherwise it needs to be dried, and it can be used until the insulation resistance meets the requirements.
- e. Prevent foreign matters from falling into the disconnecting switch when installing the disconnecting switch.
- f. Ensure the disconnecting switch is flat without additional mechanical stress when installing the conductive busbar.
- g. Conduct reliable grounding protection when installing the disconnecting switch. The grounding place of the disconnecting switch has an obvious grounding symbol.
- h. Carry out wiring of the control circuit according to the wiring diagram when installing the disconnecting switch; check whether the working voltage of the undervoltage, shunt, closed electromagnet, motor and related parts conforms to the actual voltage, and then carry out the secondary circuit energizing. In case of drawout disconnecting switch, the disconnecting switch should be shaken into the test position, then the undervoltage release will close and then the disconnecting switch can be closed.
- i. Pressing (or powering on) the closing button after the energy storage of the motor, the disconnecting switch will close.
- j. Pressing (or powering on) the opening button, the disconnecting switch will open.
- K. For manual storage of energy, pull the handle on the front panel up and down, a "click" sound can be heard after seven times, and the panel shows "storage of energy", the storage of energy ends. At this point, if there's undervoltage tripping, power on it (no need if without undervoltage tripping), then carry out closing operation.

The disconnecting switch is installed in the cabinet, the safe distance between the disconnecting switch and the cabinet

When users install the disconnecting switch into the cabinet, the safe distance between the disconnecting switch and the cabinet is as shown in Figure 37, and the installation dimensions are shown in Table 12.

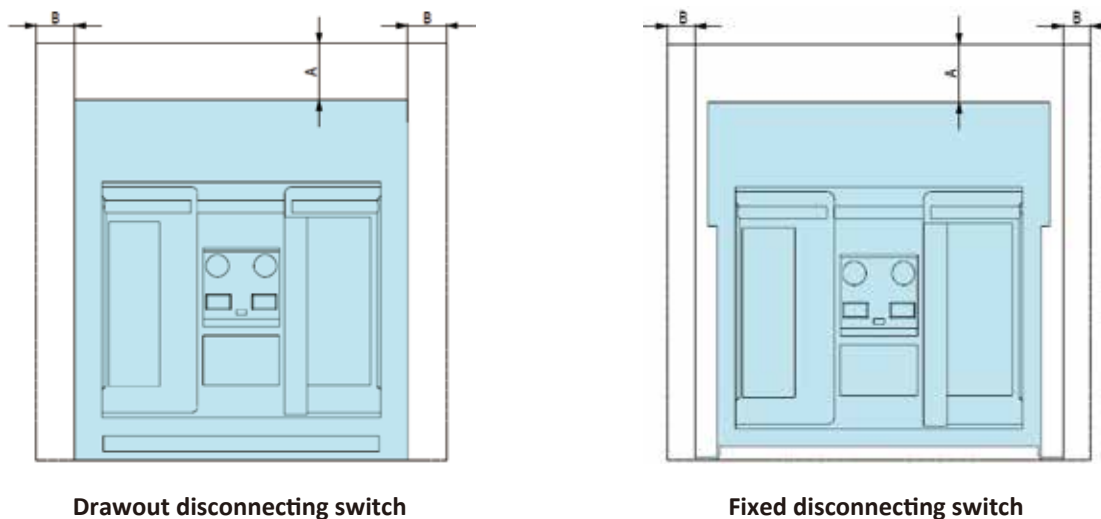


Figure 37

Installation type of the disconnecting switch	To the insulator		To the metallic body		To the live part	
	A	B	A	B	A	B
Drawout type	0	0	0	0	60	60
Fixed type	0	0	0	0	60	60

Table 12

Unit: mm

- Note:** 1. 150 mm space needed for removing the arc extinguishing chamber should be considered for the safe spacing of the fixed type disconnecting switch;
 2. If dustproof cover is added, height space of 70 mm for installation and rotating of the dustproof cover should be considered.



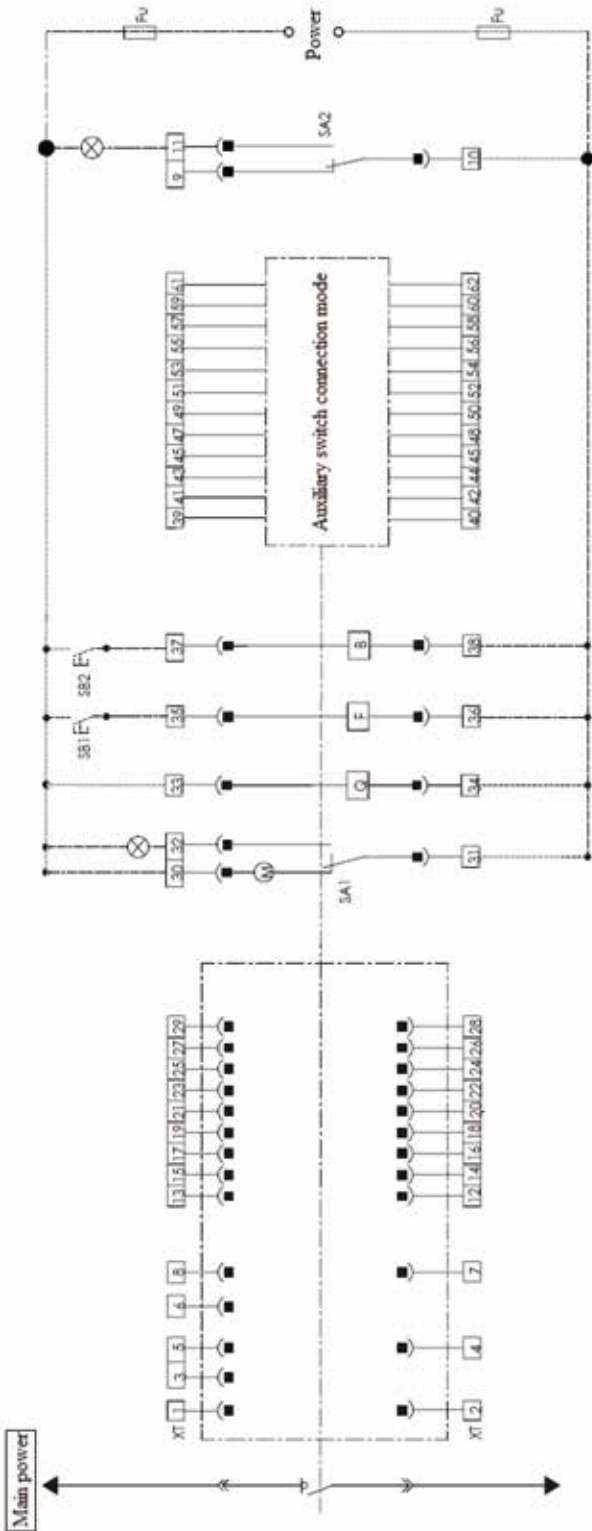
Chapter 6 Electrical Wiring Diagram

6.1 2000/4000 Electrical Wiring Diagram and Terminal Number Definition ————— 47

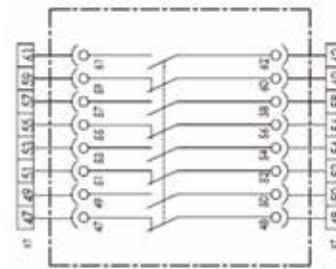


Electrical Wiring Diagram

6.1 2000/4000 Electrical Wiring Diagram and Terminal Number Definition



JDA-W2G-200 Auxiliary switch wiring diagram



Four normally opened and four normally closed

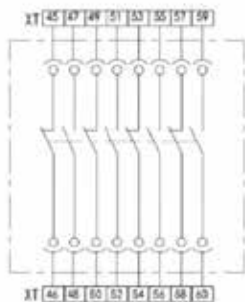
JDA-W2G-2000

- 47-62: Auxiliary contact(Four normally opened and four normally closed, for JDA-W2G-2000)
- 45-60: Auxiliary contact(Four normally opened and four normally closed, for JDA-W2G-2000)
- 45-56: Auxiliary contact(Four groups switch, for JDA-W2G-2000/4000)
- 39-62: Auxiliary contact(Six normally opened and six normally closed, for JDA-W2G-2000/4000)
- 45-62: Auxiliary contact(Six groups switch, for JDA-W2G-2000/4000)
- 9, 10, 11 - Closing ready electric indication;
- 30, 31, 32 - Electric energy storage and energy storage indication;
- 33-34 - Under-voltage tripper; 35,36 - Shunt tripper;
- 37, 38 - Closed electromagnet;
- 39-62 - Connecting terminals of auxiliary switch;
- SB2 - Undervoltage button (to be prepared by users);
- SB5 - Remote reset button (to be prepared by users);
- SA1 - Motor travel switch; SA2 - Closing ready travel switch;
- Fu - Fuse (to be prepared by users); M - Energy storage motor.
- T - Auxiliary contact of the circuit breaker (see attached figure);

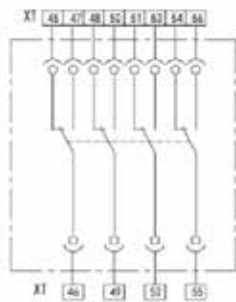
Note:1. The Disconnecting Switch state of the circuit breaker is de-energised, disconnected, connected, no energy stored;
2. The dashed part shall be wired by users;
3. Power supply - when Q, F, B, M, controllers power supply is not the same, they shall be powered on respectively.



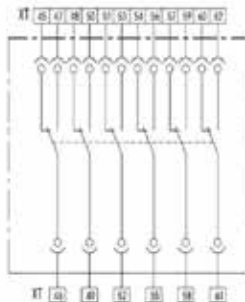
JDA-W2G-2000/4000 Auxiliary switch wiring diagram



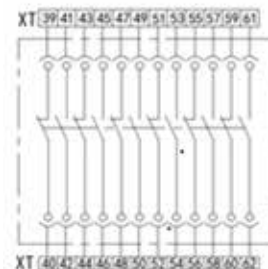
Four normally opened
 and four normally closed
JDA-W2G-4000



Four groups switch
JDA-W2G-2000/4000



Six groups switch
JDA-W2G-2000/4000



Six normally opened
 and six normally closed
JDA-W2G-2000/4000



Chapter 7 Ordering Selection Specification

7.1 JDA-W2G Series of Disconnecting Switch Model Explanation and Encoding Rules	50
7.2 JDA-W2GZ Series of Disconnecting Switch Model Explanation and Encoding Rules	52
7.3 Ordering Selection Specification	53



Ordering Selection Specification

7.1 JDA-W2G Series of Disconnecting Switch Model Explanation and Encoding Rules

JDA W 2 G □ - □ □ / □ / □ / □ □ □ / □ □ □ □ / □ / □ / □ / □ / □ / □ / □

1 2 3 4 5 6 7 8 9 10 11 12 13 14 15 16 17 18 19 20 21 22

SN	Name	Specification, type code	Description	
1	Enterprise code	JD Auspice Co., Ltd.		
2	Product code	W-Air Circuit Breaker		
3	Design code	2		
4	Derived code	G-Disconnecting switch		
5	Derived code	Not-marked-Conventional, F-Power generation products	"F" is applicable for Windpower and Plateau	
6	Frame size level current	20-2000, 40-4000		
7	Breaking type	HU: High-voltage class, Not mark: not high-voltage class		
8	Installation mode	Non-marked-fixed type, C-drawout type		
9	Rated current	04-400A, 06-630A, 08-800A, 10-1000A, 12-1250A, 16-1600A, 20-2000A, 25-2500A, 29-2900A, 32-3200A, 40-4000A,		
10	Number of poles	3-3 poles, 4-4 poles		
11	Electric energy storage mechanism	D1-AC380V/AC400V, D2-AC220V/AC230V, D3-DC220V, D4-DC110V, D5-DC24V		
12	Shunt release	F1-AC380V/AC400V, F2-AC220V/AC230V, F3-DC220V, F4-DC110V, F5-DC24V		
13	Closed electromagnet	B1-AC380V/AC400V, B2-AC220V/AC230V, B3-DC220V, B4-DC110V, B5-DC24V		
14		Undervoltage/loss of voltage release	Q1-AC380V/AC400V, Q2-AC220V/AC230V, Q3-DC220V, Q4-DC110V, Q5-DC24V S1-AC380V/AC400V, S2-AC220V/AC230V	
15		Undervoltage/loss of voltage release delay time	Conventional undervoltage: 0-Instantaneous, 1-1s delay, 3-3s delay, 5-5s delay Loss of voltage: 1-1s delay, 3-3s delay, 5-5s delay	This shall be omitted if without this accessory
16	Internal Accessories	Auxiliary contact	Not-marked-Four normally opened and four normally closed, A55-Five normally opened and five normally closed, A66-Six normally opened and six normally closed Not-marked-Four-groups switch, A6-Six-groups switch, A44-Four normally opened and four normally closed	Applicable to 2000 frame size Applicable to 4000 frame size
17			BX-Closing ready signal output unit JS-Counter functional unit CM1-Drawout type (with the right side of the door interlock), CM2-Drawout type (with the left side of the door interlock) CX-Drawer seat three position signal output	This shall be omitted if without this accessory
18	External accessories	M-Doorframe G-Phase partition (standard configuration for 4000 frame size) F-Dustproof cover S-Button lock	This shall be omitted if without this accessory	



19	Wiring mode	Not marked-horizontal wire, J1- extended horizontal wire, J2-L wire, J3-vertical wire, J4-extended vertical wire	
20	Product usage type	Not-marked-Conventional	
21	Special notes	Customer's special requirements	
22	Rated operational voltage	Not marked-AC690V or below KV4-AC800V, KV5-AC1000V, KV6-AC1140V	



7.2 JDA-W2GZ Series Disconnecting Switch Model Explanation and Encoding Rules

JDA W 2 GZ □ : □ □ / □ / □ / □ □ □ / □ □ □ □ / □ / □ / □ / □ / □
 1 2 3 4 5 6 7 8 9 10 11 12 13 14 15 16 17 18 19 20 21

SN	Name	Specification, type code		Description
1	Enterprise code	JD Auspice Co., Ltd.		
2	Product code	W-Air Circuit Breaker		
3	Design code	2		
4	Derived code	G-Disconnecting switch Z-DC		
5	Derived code	Not-marked-Conventional, F-Power generation products		"F" is applicable for Windpower and Plateau
6	Frame size level current	20-2000, 40-4000		
7	Installation mode	Non-marked-fixed type, C-drawout type		
8	Rated current	08-800A, 10-1000A, 12-1250A, 16-1600A, 20-2000A, 25-2500A, 29-2900A, 32-3200A, 40-4000A,		
9	Number of poles in series	3-3 poles, 4-4 poles		
10	Electric energy storage mechanism	D1-AC380V/AC400V, D2-AC220V/AC230V, D3-DC220V, D4-DC110V, D5: DC24V		
11	Shunt release	F1-AC380V/AC400V, F2-AC220V/AC230V, F3-DC220V, F4-DC110V, F5-DC24V		
12	Closed electromagnet	B1-AC380V/AC400V, B2-AC220V/AC230V, B3-DC220V, B4-DC110V, B5-DC24V		
13	Internal Accessories	Undervoltage/loss of voltage release	Q1-AC380V/AC400V, Q2-AC220V/AC230V, Q3-DC220V, Q4-DC110V, Q5-DC24V S1-AC380V/AC400V, S2-AC220V/AC230V	
14		Undervoltage/loss of voltage release delay time	Conventional undervoltage: 0-Instantaneous, 1-1s delay, 3-3s delay, 5-5s delay Loss of voltage: 1-1s delay, 3-3s delay, 5-5s delay	This shall be omitted if without this accessory
15		Auxiliary contact	Not-marked-Four normally opened and four normally closed, A55-Five normally opened and five normally closed, A66-Six normally opened and six normally closed	Applicable to 2000 frame size
			Not-marked-Four-groups switch, A6-Six-groups switch, A44-Four normally opened and four normally closed	Applicable to 4000 frame size
16		BX-Closing ready signal output unit		This shall be omitted if without accessory;
		JS-Counter functional unit		
		CM1-Drawout type (with the right side of the door interlock), CM2-Drawout type (with the left side of the door interlock)		
		CX-Drawer seat three position signal output		
17	External accessories	M-Doorframe		Carry out the sequence arrangement according to the table, with "/" for separation.
		G-Phase partition (standard configuration for 4000 frame size)		
		F-Dustproof cover		
		S-Button lock		



18	Wiring mode	J1-Extended horizontal wiring	Default wiring
19	Power supply/ load connecting mode	B-Type B wiring (3P), C-Type C wiring (4P), Not-marked-Free wiring (applicable to 3P/4P)	Type B and C configuration transfer bus
20	Rated working voltage	Not-marked-DC750V (3P), KV1-DC1000V (4P), KV2-DC1200V (4P), KV3-DC1500V (4P)	KV2 is not available for 2000 frame size
21	Special notes	Customer's special requirements	

Interlocking Piece Model Explanation and Encoding Rules

<p>SF11-key lock device (one lock and one key), SF21 key lock device (two locks and one key), SF31-key lock device (three locks and one key), SF32 key lock device (three locks and two keys), SF53-key lock device (five locks and three keys)</p>	<p>1. Select one from five key locks; 2. Select one from five mechanical interlocks;</p>
<p>SR11-Mechanical interlocking device (two sets of steel cables, one for closing and one for opening) SR12-Mechanical interlocking device (three sets of steel cables, one for closing and two for opening) SR21-Mechanical interlocking device (three sets of steel cables, two for closing and one for opening) SY11-Mechanical interlocking device (two sets of hard rods, one for closing and one for opening) SY12-Mechanical interlocking device (three sets of hard rods, one for close and two for open)</p>	

7.3 Ordering Selection Specification

(Please fill in numbers in _____, and check V in . Related contents can be found in the Manual)

User unit		Number of units ordered:		Date of ordering:	
Basic parameters	Frame size level	AC	<input type="checkbox"/> JDA-W2G-2000 <input type="checkbox"/> JDA-W2G-4000 <input type="checkbox"/> JDA-W2GF-2000 <input type="checkbox"/> JDA-W2GF-4000 NOTE: JDA-W2GF is applicable for Windpower and Plateau		
		DC	<input type="checkbox"/> JDA-W2G-2000 <input type="checkbox"/> JDA-W2G-4000 <input type="checkbox"/> JDA-W2GF-2000 <input type="checkbox"/> JDA-W2GF-4000 NOTE: JDA-W2GF is applicable for Windpower and Plateau		
	Product type	<input type="checkbox"/> Not-marked - Conventional			
	Current type	<input type="checkbox"/> AC <input type="checkbox"/> DC			
	Installation mode	<input type="checkbox"/> Fixed type <input type="checkbox"/> C Drawout type			
	Rated current (A)	AC	<input type="checkbox"/> 400 <input type="checkbox"/> 630 <input type="checkbox"/> 800 <input type="checkbox"/> 1000 <input type="checkbox"/> 1250 <input type="checkbox"/> 1600 <input type="checkbox"/> 2000 <input type="checkbox"/> 2500 <input type="checkbox"/> 2900 <input type="checkbox"/> 3200 <input type="checkbox"/> 4000		
		DC	<input type="checkbox"/> 800 <input type="checkbox"/> 1000 <input type="checkbox"/> 1250 <input type="checkbox"/> 1600 <input type="checkbox"/> 2000 <input type="checkbox"/> 2500 <input type="checkbox"/> 2900 <input type="checkbox"/> 3200 <input type="checkbox"/> 40000		
Number of poles	<input type="checkbox"/> 3 (3P/3P in series) <input type="checkbox"/> 4 (4P/4P in series)				



Basic parameters	Rated working voltage	2000 frame size	<input type="checkbox"/> Not marked - AC690V and below <input type="checkbox"/> Not marked - DC750V (3P) <input type="checkbox"/> KV1 DC1000V (4P) <input type="checkbox"/> KV3-DC1500V (4P)		
		4000 frame size	<input type="checkbox"/> Not marked - AC690V and below <input type="checkbox"/> KV4-AC800V <input type="checkbox"/> KV5-AC1000V <input type="checkbox"/> KV6-AC1140V <input type="checkbox"/> Not marked- DC750V (3P) <input type="checkbox"/> KV1-DC1000V (4P) <input type="checkbox"/> KV2-DC1200V (4P) <input type="checkbox"/> KV3-DC1500V (4P)		
	Wiring mode	AC	2000 frame size	<input type="checkbox"/> Horizontal wiring (standard configuration) <input type="checkbox"/> J1 Horizontal extended wiring <input type="checkbox"/> J2 L-type wiring <input type="checkbox"/> J3 Vertical wiring	
			4000 frame size	<input type="checkbox"/> Horizontal wiring (standard configuration) <input type="checkbox"/> J1 Horizontal extended wiring <input type="checkbox"/> J2 L-type wiring <input type="checkbox"/> J3 Vertical wiring	
DC		2000 frame size	<input type="checkbox"/> J1 Horizontal extended wiring		
		4000 frame size	<input type="checkbox"/> J1 Horizontal extended wiring		
Required accessories	Load connecting method (DC)	<input type="checkbox"/> Not marked - Free wiring (applicable to 3P/4P) <input type="checkbox"/> B - Type B wiring (3P) <input type="checkbox"/> C - Type C wiring (4P)			
	Electric operating mechanism	<input type="checkbox"/> D1(AC380V/AC400V) <input type="checkbox"/> D2(AC220V/AC230V) <input type="checkbox"/> D3(DC220V) <input type="checkbox"/> D4(DC110V)			
	Shunt release	<input type="checkbox"/> F1(AC380V/AC400V) <input type="checkbox"/> F2(AC220V/AC230V) <input type="checkbox"/> F3(DC220V) <input type="checkbox"/> F4(DC110V) <input type="checkbox"/> F5(DC24V)			
	Closed electromagnet	<input type="checkbox"/> B1(AC380V/AC400V) <input type="checkbox"/> B2(AC220V/AC230V) <input type="checkbox"/> B3(DC220V) <input type="checkbox"/> B4(DC110V) <input type="checkbox"/> B5(DC24V)			
Optional accessories	Under-voltage release	<input type="checkbox"/> Q1(AC380V/AC400V) <input type="checkbox"/> Q2(AC220V/AC230V) <input type="checkbox"/> Q3(DC220V) <input type="checkbox"/> Q4(DC110V) <input type="checkbox"/> Q5(DC24V)			
		<input type="checkbox"/> 0-Instantaneous (0s) Delay: <input type="checkbox"/> 1 (1s delay) <input type="checkbox"/> 3 (3s delay) <input type="checkbox"/> 5 (5s delay)			
	Loss of voltage release	<input type="checkbox"/> S1(AC380V/AC400V) <input type="checkbox"/> S2(AC220V/AC230V)			
		Delay: <input type="checkbox"/> 1 (1s delay) <input type="checkbox"/> 3 (3s delay) <input type="checkbox"/> 5 (5s delay)			
	Auxiliary contact	2000 frame size	<input type="checkbox"/> Four normally opened and four normally closed (standard configuration) <input type="checkbox"/> A55 - Five normally opened and five normally closed <input type="checkbox"/> A66 - Six normally opened and six normally closed		
		4000 frame size	<input type="checkbox"/> Four-groups switching (standard configuration) <input type="checkbox"/> A6-Six-groups switching <input type="checkbox"/> A44-Four normally opened and four normally closed		
	Closing ready	<input type="checkbox"/> BX-Closing ready signal output unit			
	Counter	<input type="checkbox"/> JS-Counter			
	Drawer seat door interlock	<input type="checkbox"/> CM1-Right side of the door interlock <input type="checkbox"/> CM2-Left side of the door interlock			
	Position indication	<input type="checkbox"/> CX-Drawer seat three position signal output			
Door frame	<input type="checkbox"/> M Doorframe				
Phase partition	<input type="checkbox"/> G Phase partition (4000 standard configuration)				



Optional accessories	Dustproof cover	<input type="checkbox"/> F Dustproof cover	
	Button lock	<input type="checkbox"/> S Button lock	
	Temperature alarm	<input type="checkbox"/> WD Temperature alarm protection device	
Interlocking accessories	Off-position lock	<input type="checkbox"/> SF11-One lock one key <input type="checkbox"/> SF21-Two locks one key <input type="checkbox"/> SF31-Three locks one key <input type="checkbox"/> SF32-Three locks two keys <input type="checkbox"/> SF53-Five locks three keys	
	Mechanical interlocking	Cable type	<input type="checkbox"/> SR11 - Two groups, one for closing and one for opening <input type="checkbox"/> SR12 - Three groups, one for closing and two for opening <input type="checkbox"/> SR21 - Three groups, two for closing and one for opening (SR21 is not available for 1600 frame size)
		Hard rod type	<input type="checkbox"/> SY11 - Two groups, one for closing and one for opening <input type="checkbox"/> SY12 - Three groups, one for closing and two for opening
	Special requirements	Other requirements:	

Note: If you have special requirements, please indicate in the special requirements column.




日揚國際事業股份有限公司
JD Auspice Co., Ltd.



 www.jdauspice.com



 [@jdauspice](https://www.facebook.com/jdauspice)



 ID : @jdapv

